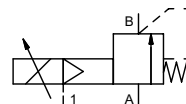


pressure reduction valve

type SPP-3 15 PC



control valve proportional externally controlled
pressure range PN 0-100 bar
orifice DN 15 mm
connection thread/cartridge
function stepless pressure regulation inline-version



⚠ Above stated body materials refer to the valve port connections that get in contact with the media only!

design externally controlled with spring return
body materials ① aluminium ④
 ① brass ⑤
 ③ ⑥ stainless steel
valve seat synthetic resin on metal / metal on metal
seal materials EPDM, PU, HNBR FPM

details needed for main valve

- orifice
- port
- pressure regulating range
- flow rate
- media
- media temperature
- ambient temperature

details needed for proportional valve

- nominal voltage
- actuation pressure range min/max

ports		function		options	
SPP-3	with valve body G 1/2 - G 3/4	stepless regulation		without valve body	
pressure regulation range	bar SPP-3 5-100	Kv value	max. 6,0		
media		media	gaseous - liquid - highly viscous - contaminated		version available
abrasive media		flow direction	A ⇌ B as marked		
operating time	ms < 200	media temperature	°C 0 to +60		
ambient temperature	°C 0 to +50	approval			
mounting		weight	kg SPP-3 4,8	mounting holes	SPP-3 3,7
additional equipment					

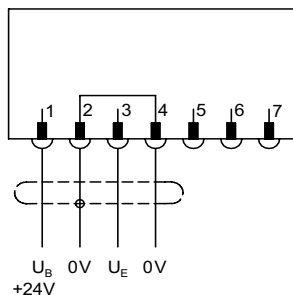
electrical specifications

nominal voltage		options	
U _B	DC 24 V (max. residual ripple 10%)		
power consumption	DC < 0,7 A		
control signals	U _E 0-10 V (R _e 10KΩ)		
protection	IP65 acc. DIN 40 050		
energized duty rating	ED 100% (observe the connection conditions accordingly)		
connection	plug with 7 contacts / wire diameter 6-8 mm		

pneumatic specifications

actuation pressure range		options	
bar	see actuation pressure-diagram		
air consumption	DIN ISO 8573-1 grade of compressed air quality 5/4/3		
control	by 3/2-way proportional valve		
actuator ports	1 G 1/8		

connection plan



connection conditions

When supplying the electrical set point signal to the proportional valve, the actuating air must already be present. (see actuation pressure-diagram)

position of installation

arbitrarily, but regulator not downwards

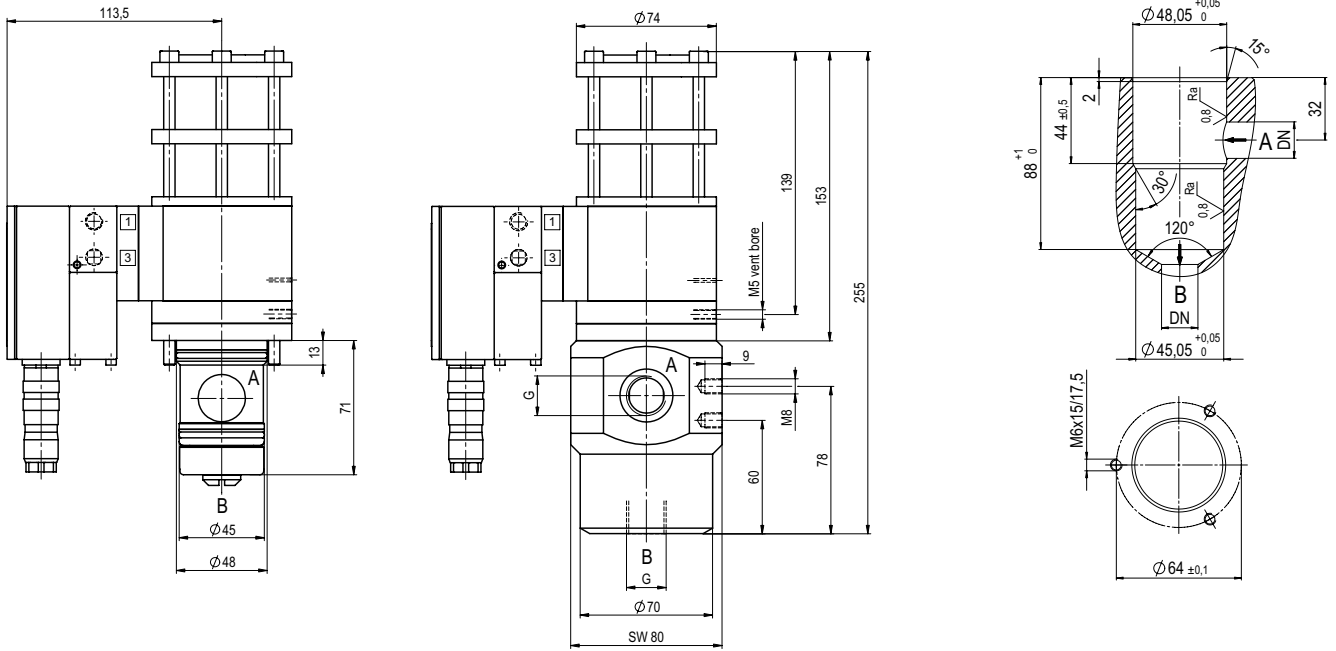
⚠ The valves' technical design is based on media and application requirements. This can lead to deviations from the general specifications shown on the data sheet with regards to the design, sealing materials and characteristics.

⚠ If order or application specifications are incomplete or imprecise there exists a risk of an incorrect technical design of the valve for the required application. As a consequence, the physical and / or chemical properties of the materials or seals used, may not be suitable for the intended application.

■ specifications not highlighted are standard
 ■ specifications highlighted in grey are optional

type SPP-3 15 PC

drilling design for cartridge



actuation pressure-diagram

