

Catalogue No.
AEA / 1016

Hand Lever / Worm Gear Operated Double Eccentric Design Off - Set Disc "Wafer" Type Butterfly Valve



"aira" offers Manual Worm Gear / Lever Operated Off - Set Disc Butterfly Valve "WAFER" Type Construction engineered for multiply ON/OFF Operation in the large Pipe line and full flow down Stream.

Size Range : 2.1/2" to 48"

Standard

Design And Manufacturing	API 609 Category "B" / MSS SP - 68
Valve Face to Face Dimensions	API 609 Category "B" / ISO 5752 / MSS SP-68
Flange Standard Conformity	ASME B 16.5 Class 150 ASME B 16.47Series "A" Class 150
Inspection & Testing	API 598
Pressure Temperature Rating	ASME B16.34
Top Flange Dimensions	Bolt Hole ISO 5211
Stem Dimensions	Square Drive to ISO 5211
Leakage Class	Class VI as per ANSI B 16, 16.104

PRESSURE / TEMPERATURE RATING

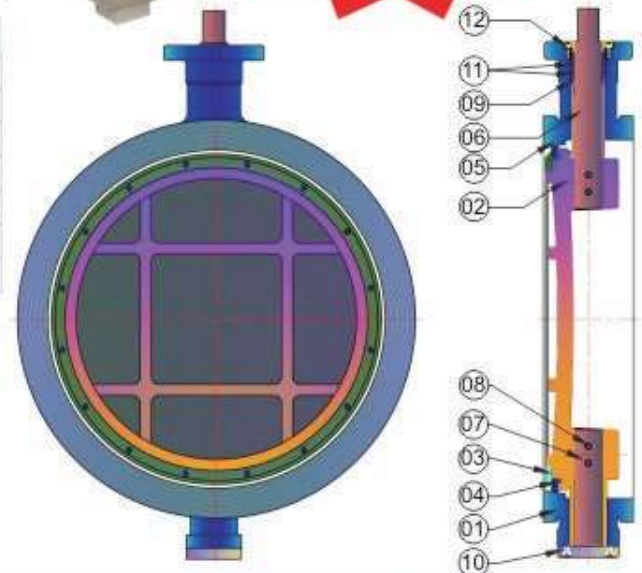
PRESSURE RATING	150# (PN 10 / PN 16 / PN 25)
OPERATING TEMPERATURE	NBR -- -10 °C TO +90 °C EPDM -- -20 °C TO +120 °C VITON - 0 °C TO +220 °C PTFE - -25 °C TO +180 °C RPTFE - -25 °C TO +220 °C TFM -25 °C TO +250 °C

No.	Description	Material	Qty.
1	Body	C.I. / WCB / CF8 / CF8M / D.I.	1
2	Disc	C.I. / WCB / CF8 / CF8M / D.I.	1
3	Retainer	M.S. / CF8 / CF8M	1
4	Disc Seal Ring	PTFE / RPTFE / NBR / EPDM / Viton	1
5	Body Seal Ring	S.S. 304 / 316	1
6	Shaft	S.S. 304 / 316 / 410	1
7	Stem Shaft	S.S. 304 / 316 / 410	1
8	Disc Pin	S.S. 304 / 316 / 410	4
9	Flange Side Washer	S.S. 304 / 316 / 410	1
10	Stem Square	M.S. / CF8 / CF8M	1
11	Gland Seal Set	PTFE / NBR / EDPM / Viton	5
12	Gland Plate	M.S. / CF8 / CF8M	1



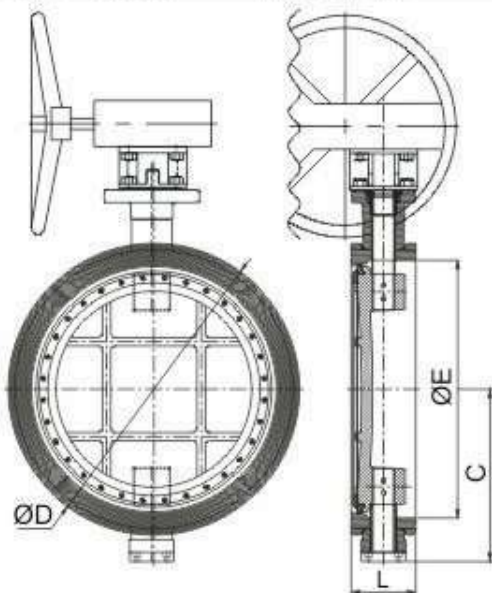
609 - 0055

**Fire Safe
Design**



Dimensions : (All Dimensions are in mm)

Valve Model	Valve Size		L	øD	øE	C
	MM	Inch				
BOD-100	100	4"	54	158	110	96
BOD-125	125	5"	56	185.87	120	112
BOD-150	150	6"	57	216	152	115
BOD-200	200	8"	64	270	200	141
BOD-250	250	10"	72	325	255	179
BOD-300	300	12"	81	373	306	210
BOD-350	350	14"	92	412	355	234
BOD-400	400	16"	102	472	400	275
BOD-450	450	18"	114	532	450	327.5
BOD-500	500	20"	127	584	505	359
BOD-600	600	24"	154	692.2	612	409
BOD-650	650	26"	165	749.3	640	640
BOD-700	700	28"	165	800.1	705	500
BOD-750	750	30"	190	857.25	725	571
BOD-800	800	32"	190	915	810	630
BOD-850	850	34"	205	965.2	850	655.5
BOD-900	900	36"	205	1022.35	900	680
BOD-1000	1000	40"	300	1124	1000	735
BOD-1200	1200	48"	350	1359	1200	915



www.airaindia.com / www.airaeuro.com

B-6