

# Hygienic Right Angle Valve 6052 SCHUBERT SALZER

## with 3A-conformance DN 15 up to DN 50

**Pneumatic control valve in right angle design.  
For dairy applications as well as applications in the pharmaceutical, food and beverage industry.**

- Integral positioner type 8049 (or as shut-off valve)
- Perfect cleanability by optimized flow condition in relation to constant high wall shear stress
- 3A-authorized design for easy cleaning or sterilising in place
- Body made from non-porous barstock material
- Medium is sealed by the diaphragm
- Solid design of the diaphragm for extreme variations in temperature
- High chemical resistance by a composite diaphragm made of PTFE and reinforced EPDM
- Simple and smart design
- Customer-friendly maintenance
- Wetted parts are FDA conformant, comply with the USP class VI and regulations (EG) 1935/2004 and (EU) 10/2011
- Also available with the function normally open for CIP/SIP-cleaning with pressureless actuator.
- Suitable for vacuum applications



### Technical Information Valve

Body material	Stainless steel 1.4435	
Nominal sizes	DN 15 up to DN 50	
Connections	Welding ends ASME BPE OD-tubing Clamp connection acc. ASME-BPE	
Nominal pressure	PN 16	
Diaphragm	Reinforced EPDM diaphragm with PTFE-foil (fluidside)	
Fluid temperature	-20°C up to +140°C	
Rangeability	50 : 1	
Vacuum	maximum 0,001 bar abs	
Hysteresis	< 0,5 %	
Surfaces in contact with media	Ra 0,6 µm electropolished Ra 0,4 µm (optional for housing) electropolished Ra 0,25 µm (optional for housing)***	
Surfaces outside	Housing parts:	Ra 1,2 µm
	Piston actuators:	Casting surface (standard)
		polished Ra 0,8 µm (optional)
Diaphragm actuators:	plate thermoformed	
	polished Ra 0,8 µm (optional)	
Leakage acc. EN 12266-1	leakage class A	

### Positioner

For the technical data of the positioners, please refer to the Type 8049 Data Sheet

### Materials

Valve body	Stainless steel 1.4435
Actuator	Stainless steel 1.4408 (optional: polished)
Diaphragm actuator	Stainless steel 1.4301
Actuator springs	Stainless steel 1.4310
Valve stem	Stainless steel 1.4571
Control plug	PEEK
Clamp-connection	Stainless steel 1.4435
Body positioner	Aluminium, filled PA, optional: stainless steel 1.4305
Body position indicator	PA Polyamid (clear)



# Hygienic Right Angle Valve 6052



with 3A-conformance

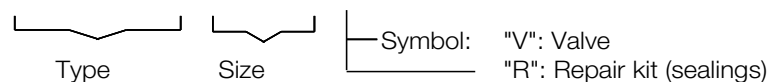
## KVS-values

characteristic	linear					equal percentage				
	15	20	25	40	50	15	20	25	40	50
DN										
100%	2,6	4	10	23,9	40	2,5	4	9,9	18,3	32
reduced (63 %)	2,3	2,3	5,6	16	-	2,5	2,5	6,3	14,5	-
reduced (40 %)	1,25	1,25	4	10	-	1,6	1,6	4	-	-
reduced (25 %)	1	1	2,3	-	-	-	-	2,5	-	-
reduced (16 %)	0,63	0,63	1,25	-	-	-	-	1,6	-	-
reduced (10 %)	0,4	0,4	1	-	-	-	-	-	-	-
reduced (6,3 %)	0,25	-	0,63	-	-	-	-	-	-	-
reduced (4 %)	-	-	0,4	-	-	-	-	-	-	-
reduced (2,5 %)	0,1	0,1	-	-	-	-	-	-	-	-
stroke (mm)	16					16				

## Ordering number system

6	0	5	2	/				V												S
---	---	---	---	---	--	--	--	---	--	--	--	--	--	--	--	--	--	--	--	---

1 - 6 : Please note all 6 sections.  
7 - 12: Quote only if required.



1. Design	2. Connections	3. Body material	4. Cone, diaphragm	5. Positioner	6. Actuator	7. Special version
A Hygienic Right Angle Valve	E ASME BPE OD-tubing Z Clamp connection acc. ASME-BPE	7 stainless steel 1.4435 surface roughness inside Ra <0,6µm 9 Stainless steel 1.4435 electro-polished Ra < 0,4 µm	P Plug made of PEEK and diaphragm made of EPDM with PTFE foil on the fluid side	- without (on/off valve) C digital positioner type 8049, 4-wire R digital positioner type 8049, 2-wire W digital positioner type 8049, 2-wire, ex-version	1 piston Ø 80mm with stainless steel bonnet 2 piston Ø 125mm with stainless steel bonnet C diaphragm actuator 250 cm²	M if additional positions are occupied

8. Springs	9. Flow characteristic	10. Kvs-value	11. Accessories	12. Further special versions	13. Special versions positioner	14. Positioner adjustment
- Standard R 4 springs (D250) T 6 springs (D250) 1 spring opens	- linear 1 equal percentage	- full (100 %) A red. 63 % 1 red. 40 % 2 red. 25 % 3 red. 16 % 4 red. 10 % 5 red. 6,3 % 6 red. 4 %	- without	S Quotes for further special versions	C Positioner 8049 with stainless steel base plate E Positioner 8049 made of stainless steel	- without 1 split range - Adjustment according to customer specifications 7 Positioner adjustment 0-10V

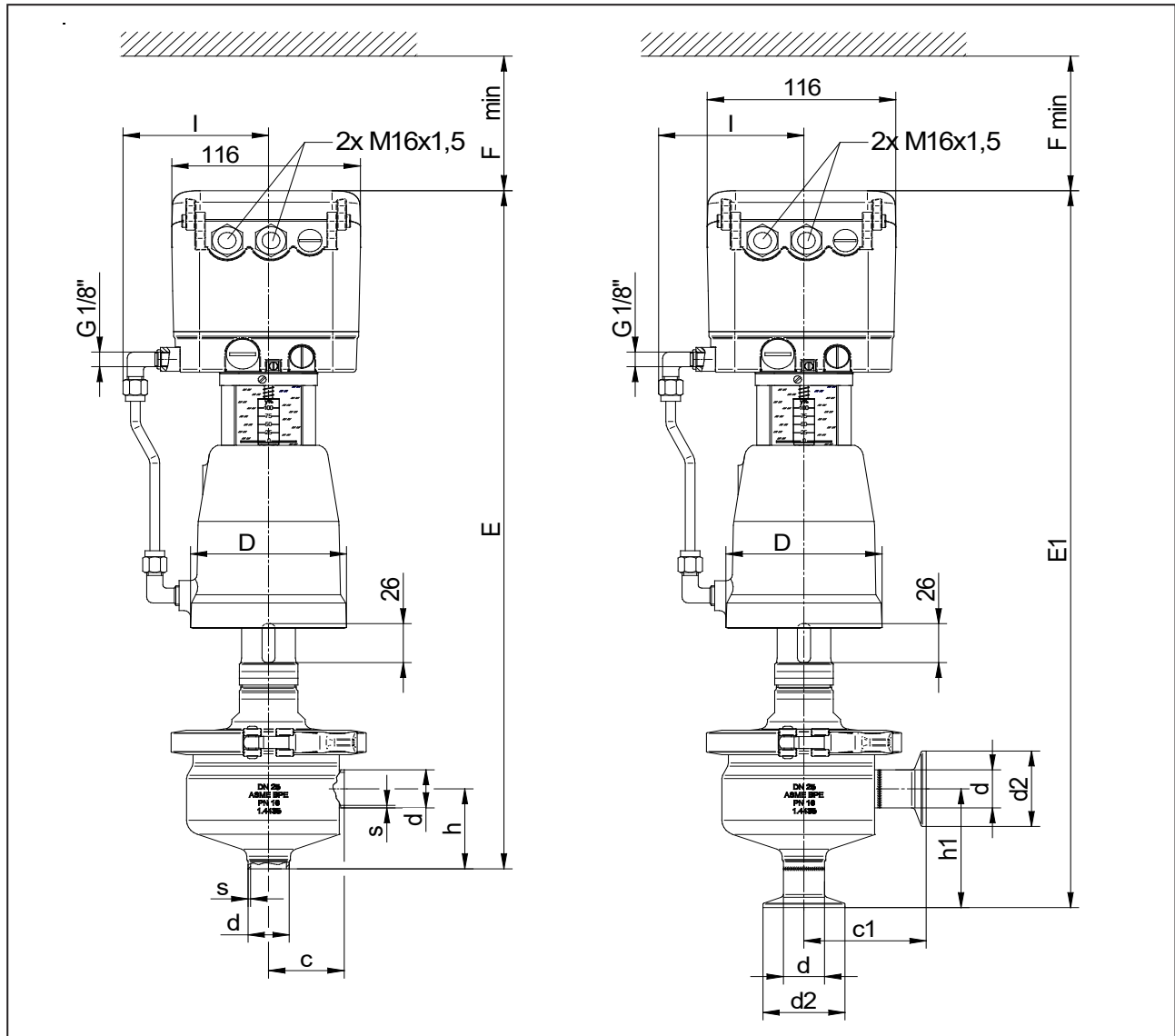
15. positioner-accessories	16. Attachments	17. Alternative	18. Special treatment	20. Special additional version
- without N feedback module RM2 Y feedback module RM4	- without	- Standard 0 polished stainless steel actuator bonnet 1 fittings and pilot tube plastic (PA) 3 fittings and pilot tube stainless steel 1.4571(AISI 316Ti)	- without	

# Hygienic Right Angle Control Valve 6052 SCHUBERT & SALZER

with 3A-conformance

## Dimensions and weights

Control valve with piston actuator NC and positioner Type 8049



Size	Actuator	D	Welding ends acc. ASME BPE				Tri-Clamp acc. ASME BPE			
			s	d	c	h	d	d2	c1	h1
15	D80	96	1,65	12,7	46,5	61,5	12,7	25	71,5	85,5
20	D80	96	1,65	19,05	46,5	53,5	19,05	25	71,5	83
25	D80	96	1,65	25,4	46,5	53,5	25,4	50,5	75,2	79,5
25	D125	146	1,65	25,4	46,5	53,5	25,4	50,5	75,2	79,5
40	D80	96	1,65	38,1	49,5	54,5	38,1	50,5	87	99
40	D125	146	1,65	38,1	49,5	54,5	38,1	50,5	87	99
50	D80	96	1,65	50,8	51	59	50,8	64	88,9	88,9
50	D125	146	1,65	50,8	51	59	50,8	64	88,9	88,9

Size	Actuator	l	E	E1	F	Weight [kg]
15	D80	90	456,5	480,5	90	7
20	D80	90	451,5	480,5	90	7
25	D80	90	454,5	480,5	90	7,1
25	D125	105	474,5	500,5	90	9,8
40	D80	90	459,5	504,5	100	7,6
40	D125	105	479,5	524,5	100	10,3
50	D80	90	469,5	500,5	120	8
50	D125	105	489,5	520,5	120	10,7

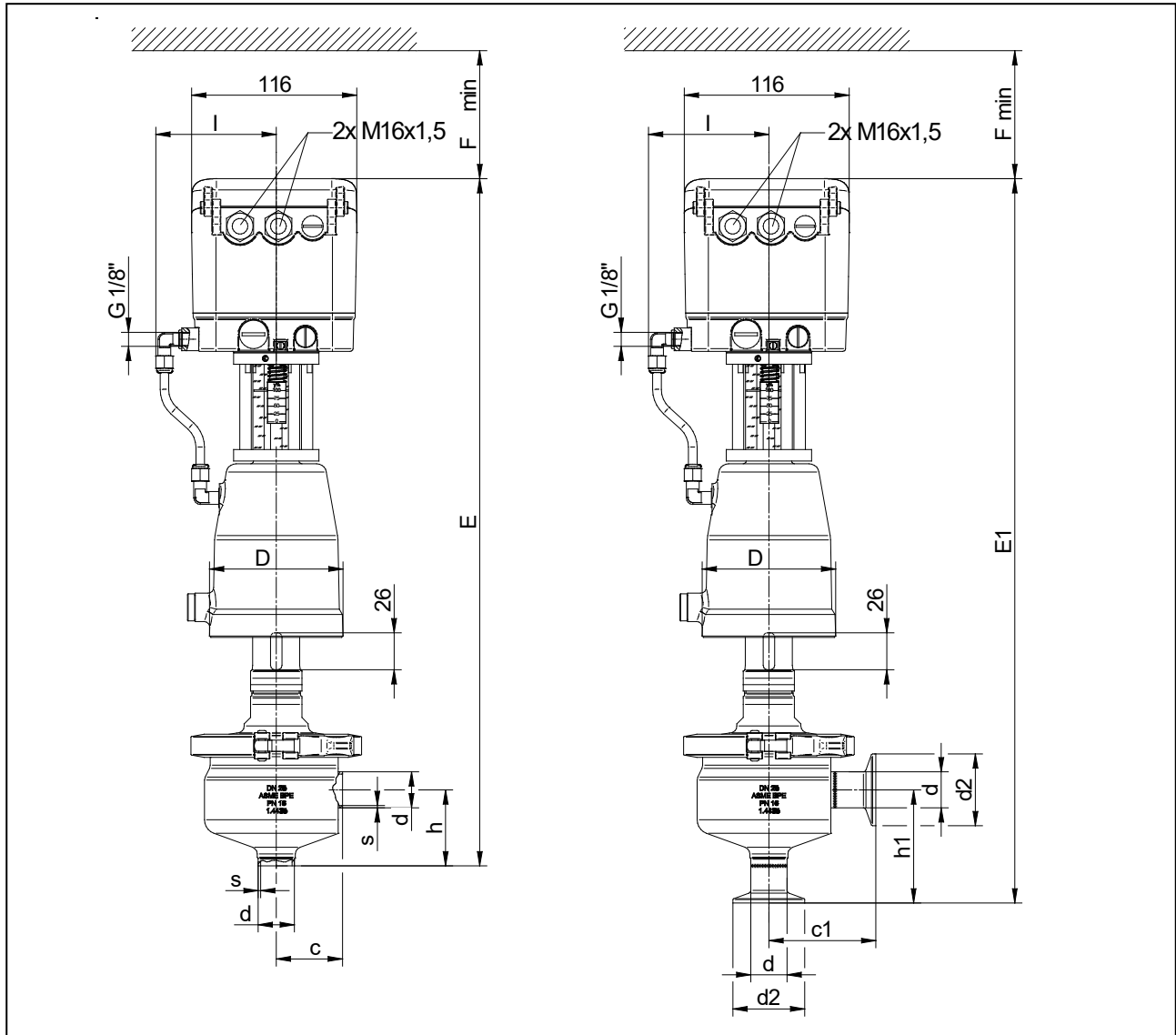
Dimensions in mm

# Hygienic Right Angle Control Valve 6052 SCHUBERT & SALZER

with 3A-conformance

## Dimensions and weights

Control valve with piston actuator NO and positioner Type 8049



Size	Actuator	D	Welding ends acc. ASME BPE				Tri-Clamp acc. ASME BPE			
			s	d	c	h	d	d2	c1	h1
15	D80	96	1,65	12,7	46,5	61,5	12,7	25	71,5	85,5
20	D80	96	1,65	19,05	46,5	53,5	19,05	25	71,5	83
25	D80	96	1,65	25,4	46,5	53,5	25,4	50,5	75,2	79,5
25	D125	146	1,65	25,4	46,5	53,5	25,4	50,5	75,2	79,5
40	D80	96	1,65	38,1	49,5	54,5	38,1	50,5	87	99
40	D125	146	1,65	38,1	49,5	54,5	38,1	50,5	87	99
50	D80	96	1,65	50,8	51	59	50,8	64	88,9	88,9
50	D125	146	1,65	50,8	51	59	50,8	64	88,9	88,9

Size	Actuator	l	E	E1	F	Weight [kg]
15	D80	90	485,5	480,5	90	7
20	D80	90	480,5	480,5	90	7
25	D80	90	483,5	480,5	90	7,1
25	D125	105	503,5	500,5	90	9,8
40	D80	90	488,5	504,5	100	7,6
40	D125	105	508,5	524,5	100	10,3
50	D80	90	498,5	500,5	120	8
50	D125	105	518,5	520,5	120	10,7

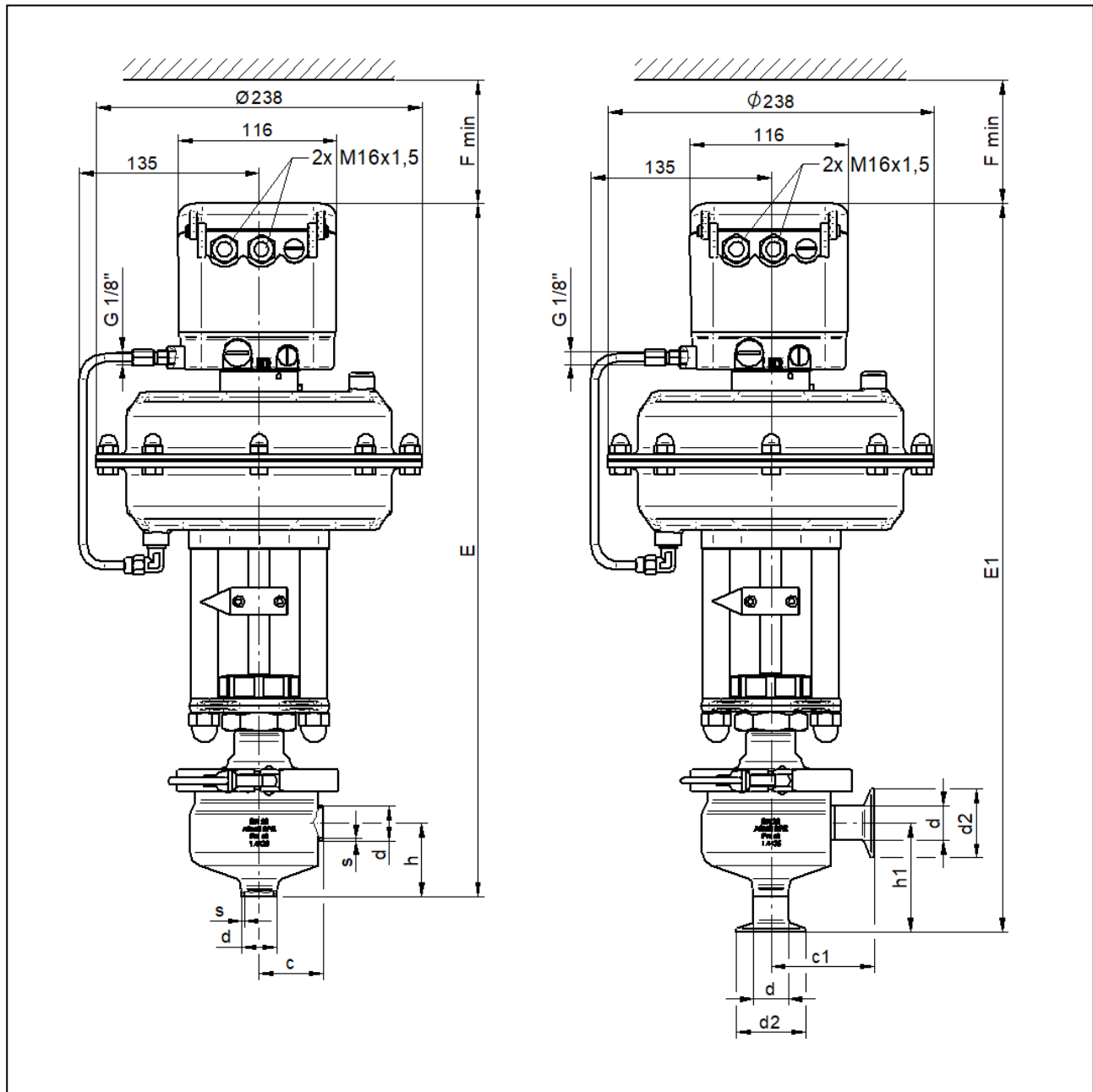
Dimensions in mm

# Hygienic Right Angle Control Valve 6052 SCHUBERT & SALZER

with 3A-conformance

## Dimensions and weights

Control valve with diaphragm actuator NC and positioner Type 8049



Size	Actuator	Welding ends acc. ASME BPE				Tri-Clamp acc. ASME BPE			
		s	d	c	h	d	d2	c1	h1
15	D250	1,65	12,7	46,5	61,5	12,7	25	71,5	85,5
20	D250	1,65	19,05	46,5	53,5	19,05	25	71,5	83
25	D250	1,65	25,4	46,5	53,5	25,4	50,5	75,2	79,5
40	D250	1,65	38,1	49,5	54,5	38,1	50,5	87	99
50	D250	1,65	50,8	51	59	50,8	64	88,9	88,9

Size	Actuator	E	E1	F	Weight kg
15	D250	510	533	90	15,5
20	D250	505	533	90	15,5
25	D250	508	533	90	15,7
40	D250	513	557	100	16,5
50	D250	523	553	120	16,7

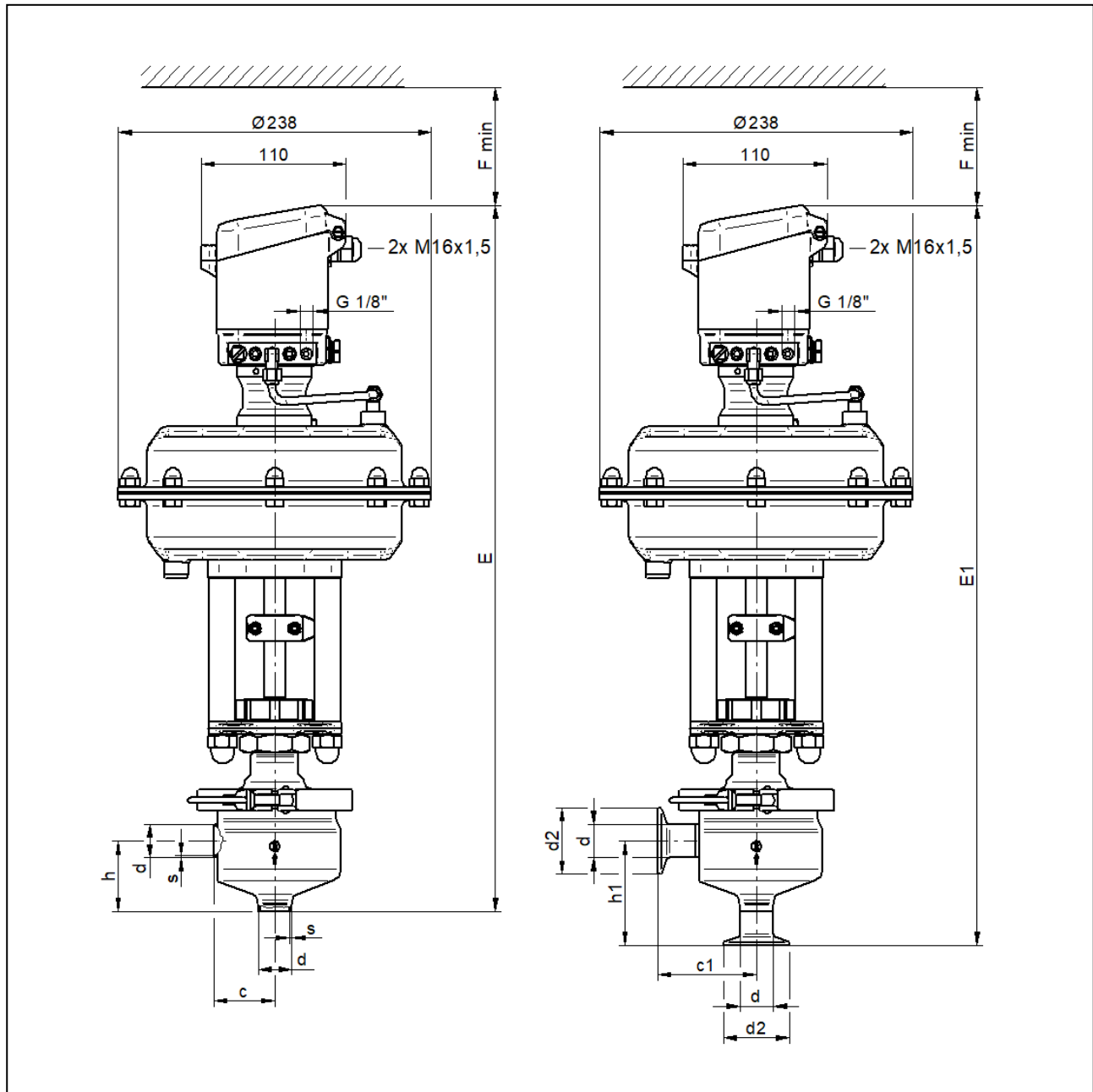
Maße in mm

# Hygienic Right Angle Control Valve 6052 SCHUBERT & SALZER

with 3A-conformance

## Dimensions and weights

Control valve with diaphragm actuator NO and positioner Type 8049



Size	Actuator	Welding ends acc. ASME BPE				Tri-Clamp acc. ASME BPE			
		s	d	c	h	d	d2	c1	h1
15	D250	1,65	12,7	46,5	61,5	12,7	25	71,5	85,5
20	D250	1,65	19,05	46,5	53,5	19,05	25	71,5	83
25	D250	1,65	25,4	46,5	53,5	25,4	50,5	75,2	79,5
40	D250	1,65	38,1	49,5	54,5	38,1	50,5	87	99
50	D250	1,65	50,8	51	59	50,8	64	88,9	88,9

Size	Actuator	E	E1	F	Weight kg
15	D250	510	563	90	15,5
20	D250	505	563	90	15,5
25	D250	508	563	90	15,7
40	D250	513	587	100	16,5
50	D250	523	583	120	16,7

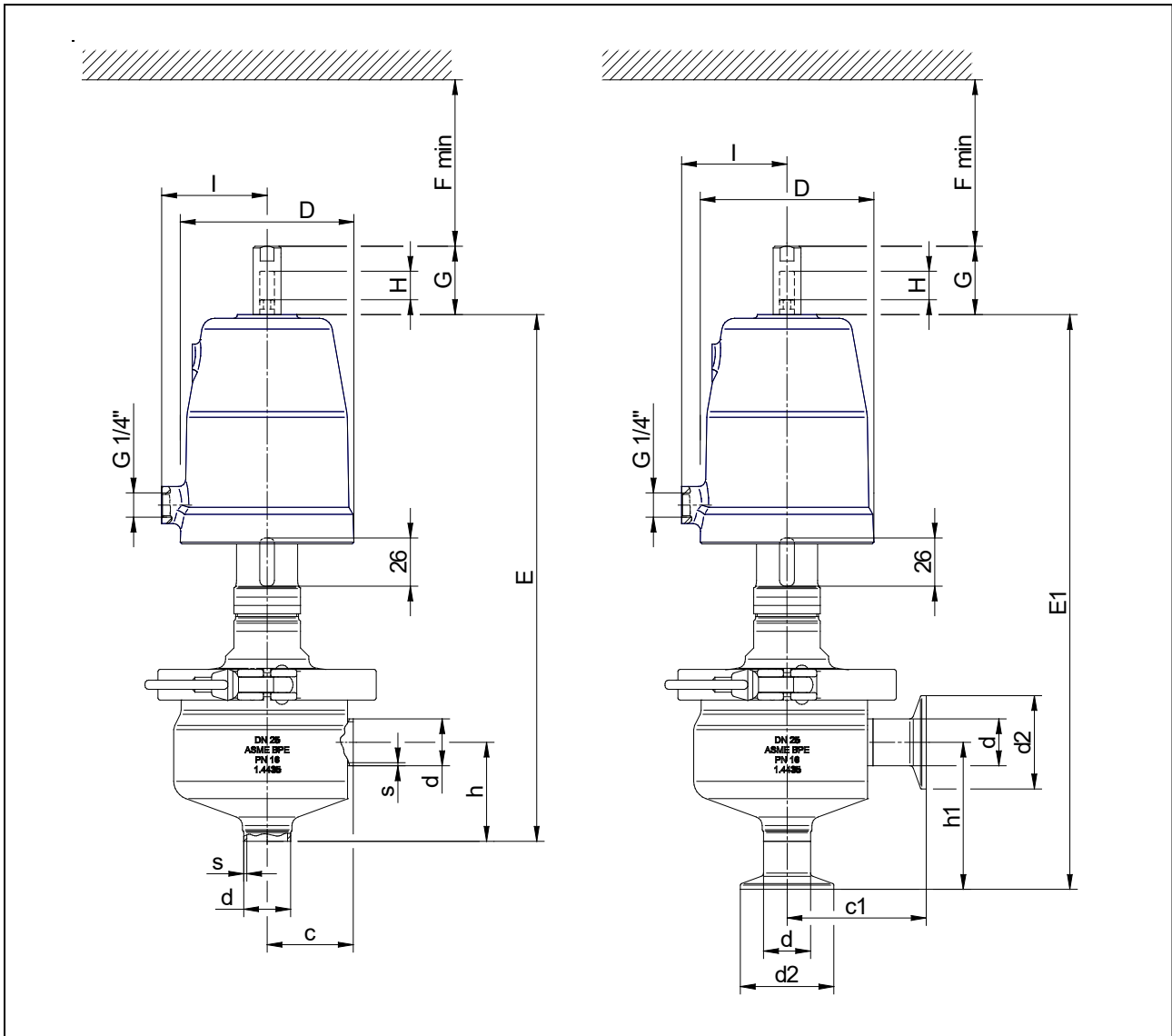
Dimensions in mm

# Hygienic Right Angle Control Valve 6052 SCHUBERT & SALZER

with 3A-conformance

## Dimensions and weights

Shut-off valve with piston actuator NC



Size	Actuator	D	Welding ends acc. ASME BPE				Tri-Clamp acc. ASME BPE			
			s	d	c	h	d	d2	c1	h1
15	D80	96	1,65	12,7	46,5	61,5	12,7	25	71,5	85,5
20	D80	96	1,65	19,05	46,5	53,5	19,05	25	71,5	83
25	D80	96	1,65	25,4	46,5	53,5	25,4	50,5	75,2	79,5
25	D125	146	1,65	25,4	46,5	53,5	25,4	50,5	75,2	79,5
40	D80	96	1,65	38,1	49,5	54,5	38,1	50,5	87	99
40	D125	146	1,65	38,1	49,5	54,5	38,1	50,5	87	99
50	D80	96	1,65	50,8	51	59	50,8	64	88,9	88,9
50	D125	146	1,65	50,8	51	59	50,8	64	88,9	88,9

Size	Actuator	I	E	E1	G	H (Stroke)	F	Weight [kg]
15	D80	90	287	313	37	16	90	6
20	D80	90	282	308	37	16	90	6
25	D80	90	285	311	37	16	90	6
25	D125	105	309	335	37	16	90	8,8
40	D80	90	291	317	37	16	100	6,6
40	D125	105	315	341	37	16	100	9,3
50	D80	90	301	327	37	16	120	7
50	D125	105	325	351	37	16	120	9,7

Dimensions in mm

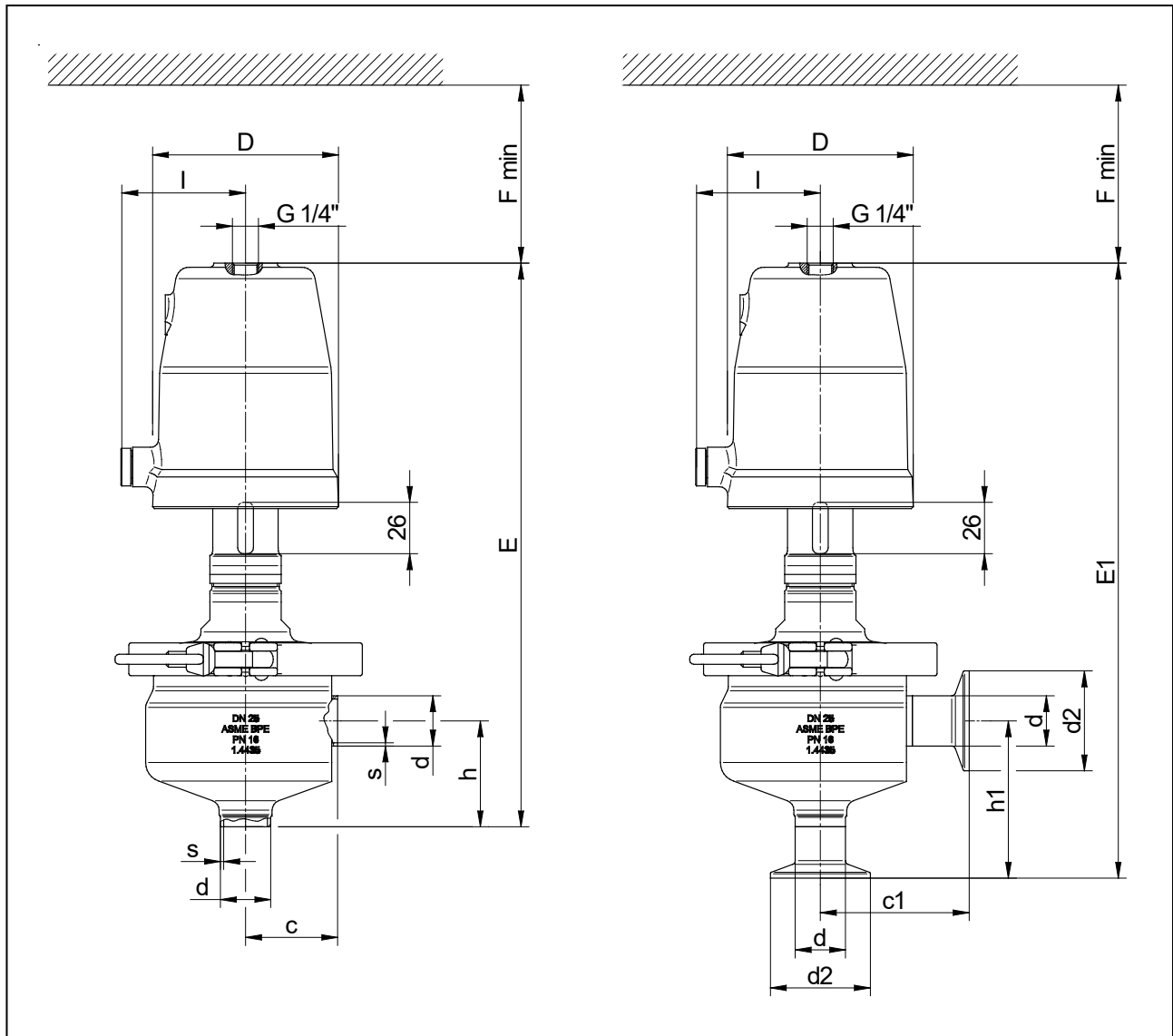


# Hygienic Right Angle Control Valve 6052 SCHUBERT & SALZER

with 3A-conformance

## Dimensions and weights

Shut-off valve with piston actuator NO



Size	Actuator	D	Welding ends acc. ASME BPE				Tri-Clamp acc. ASME BPE			
			s	d	c	h	d	d2	c1	h1
15	D80	96	1,65	12,7	46,5	61,5	12,7	25	71,5	85,5
20	D80	96	1,65	19,05	46,5	53,5	19,05	25	71,5	83
25	D80	96	1,65	25,4	46,5	53,5	25,4	50,5	75,2	79,5
25	D125	146	1,65	25,4	46,5	53,5	25,4	50,5	75,2	79,5
40	D80	96	1,65	38,1	49,5	54,5	38,1	50,5	87	99
40	D125	146	1,65	38,1	49,5	54,5	38,1	50,5	87	99
50	D80	96	1,65	50,8	51	59	50,8	64	88,9	88,9
50	D125	146	1,65	50,8	51	59	50,8	64	88,9	88,9

Size	Actuator	I	E	E1	G	H (Stroke)	F	Weight [kg]
15	D80	90	287	313	37	16	90	6
20	D80	90	282	308	37	16	90	6
25	D80	90	285	311	37	16	90	6
25	D125	105	309	335	37	16	90	8,8
40	D80	90	291	317	37	16	100	6,6
40	D125	105	315	341	37	16	100	9,3
50	D80	90	301	327	37	16	120	7
50	D125	105	325	351	37	16	120	9,7

Dimensions in mm

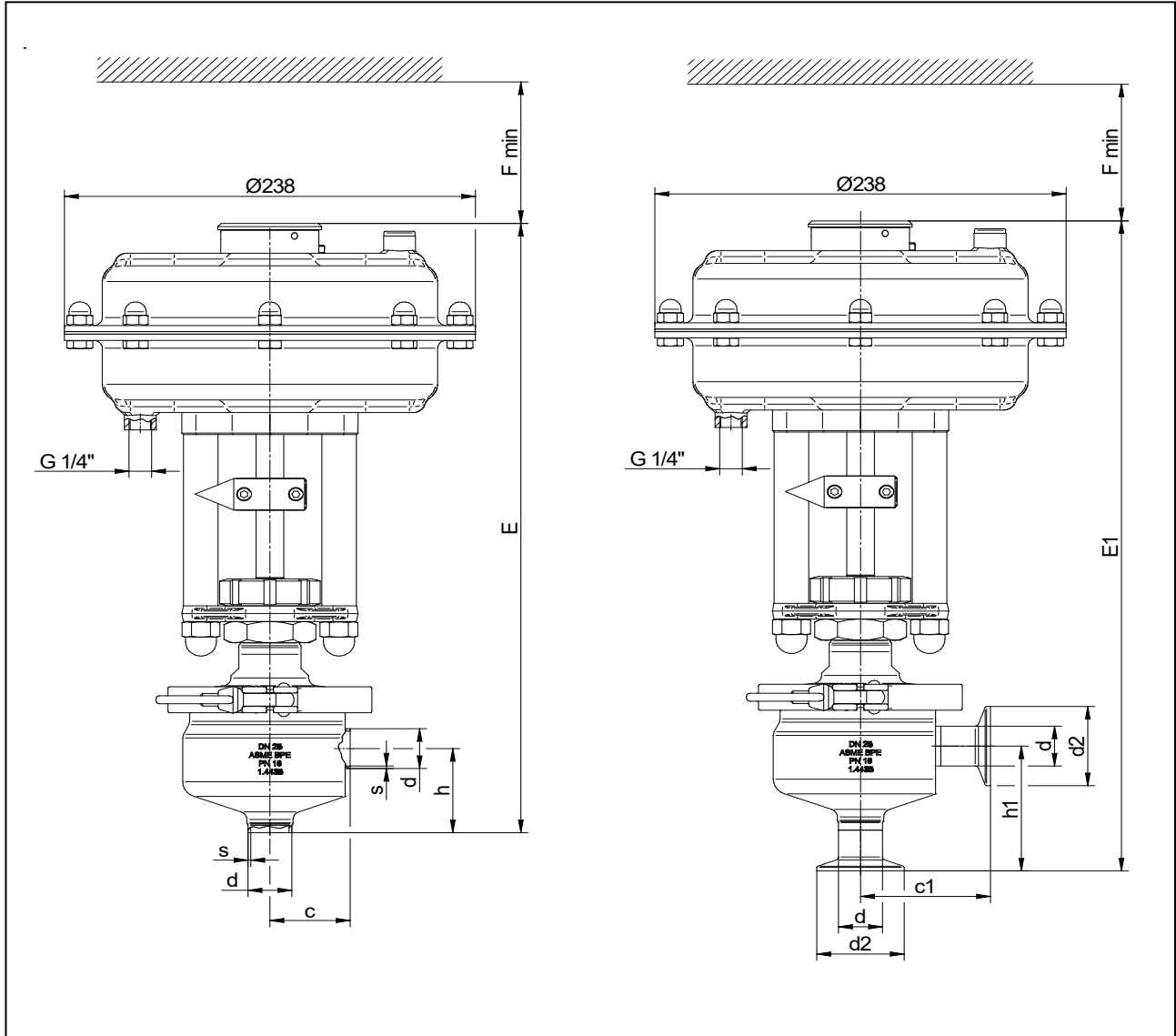
# Hygienic Right Angle Control Valve 6052



with 3A-conformance

## Dimensions and weights

Shut-off valve with diaphragm actuator NC



Size	Actuator	Welding ends acc. ASME BPE				Tri-Clamp acc. ASME BPE			
		s	d	c	h	d	d2	c1	h1
15	D250	1,65	12,7	46,5	61,5	12,7	25	71,5	85,5
20	D250	1,65	19,05	46,5	53,5	19,05	25	71,5	83
25	D250	1,65	25,4	46,5	53,5	25,4	50,5	75,2	79,5
40	D250	1,65	38,1	49,5	54,5	38,1	50,5	87	99
50	D250	1,65	50,8	51	59	50,8	64	88,9	88,9

Size	Actuator	E	E1	F	Weight kg
15	D250	392	401	90	15,5
20	D250	387	401	90	15,5
25	D250	390	401	90	15,7
40	D250	395	425	100	16,5
50	D250	405	420	120	16,7

Dimensions in mm

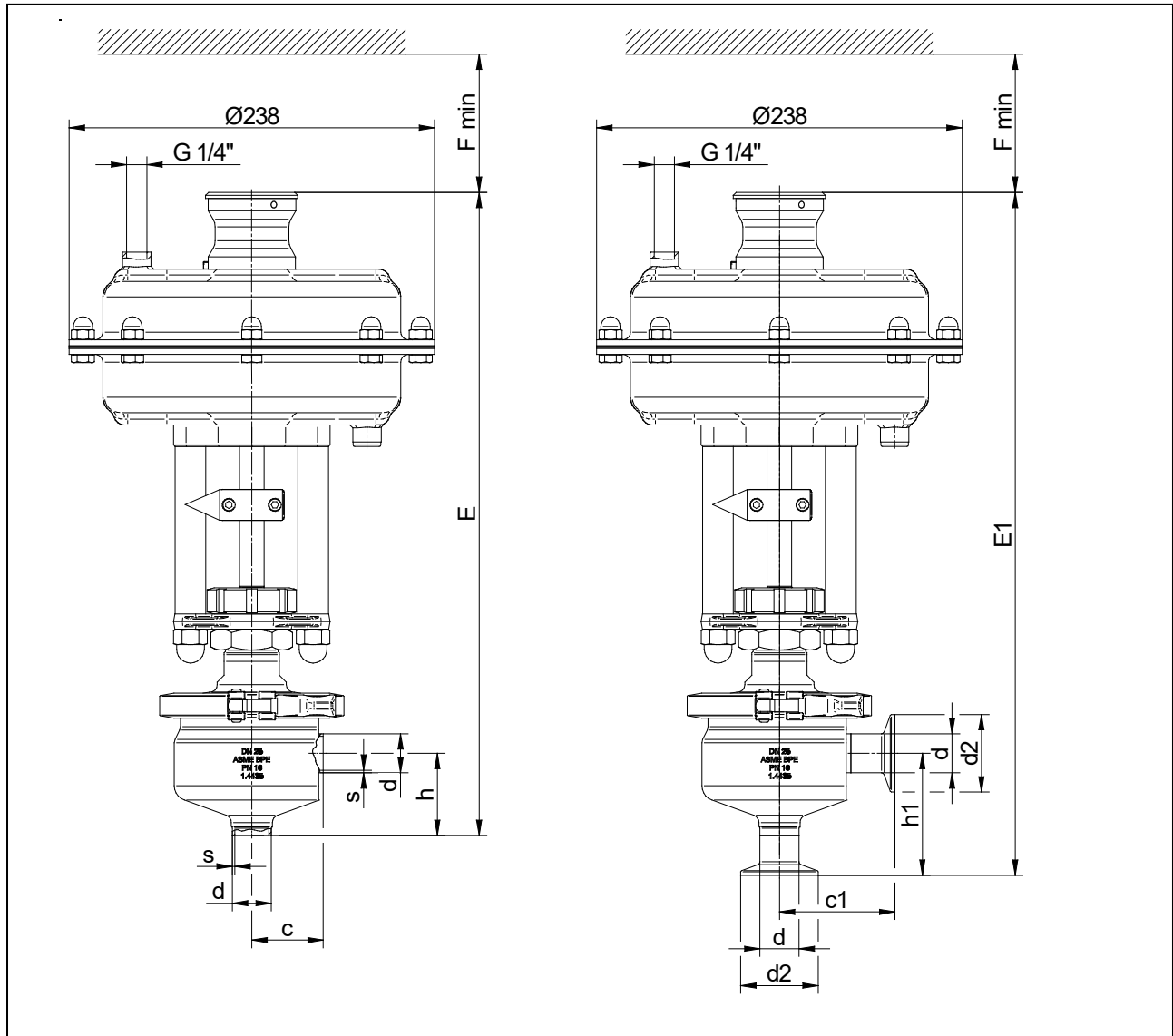
# Hygienic Right Angle Control Valve 6052



with 3A-conformance

## Dimensions and weights

Shut-off valve with diaphragm actuator NO



DN	Actuator	Weld ends acc. ASME BPE				Tri-Clamp acc. ASME BPE			
		s	d	c	h	d	d2	c1	h1
15	D250	1,65	12,7	46,5	61,5	12,7	25	71,5	85,5
20	D250	1,65	19,05	46,5	53,5	19,05	25	71,5	83
25	D250	1,65	25,4	46,5	53,5	25,4	50,5	75,2	79,5
40	D250	1,65	38,1	49,5	54,5	38,1	50,5	87	99
50	D250	1,65	50,8	51	59	50,8	64	88,9	88,9

DN	Actuator	E	E1	F min	Weight (~kg)
15	D250	413	422	90	15,5
20	D250	418	422	90	15,5
25	D250	415	422	90	15,7
40	D250	420	446	100	16,5
50	D250	430	441	120	16,7

dimensions in mm

Text and pictures are not binding. We reserve the right, to alter the equipment.