

# 5/2, 3/2 CONVERTIBLE INLINE POPPET, SPRING RETURN, NAMUR SINGLE SOLENOID VALVE



HORIZONTAL CABLE ENTRY  
ALUMINIUM CAST ENCLOSURE  
WEATHER PROOF Type 16, 19  
EXPLOSION PROOF Type 58, 58LT, 67



MULTI PIN CONNECTOR  
STEEL ENCLOSURE  
WEATHER PROOF Type 70



HORIZONTAL CABLE ENTRY  
STAINLESS STEEL CAST ENCLOSURE  
WEATHER PROOF Type 16-CO, 19-CO,  
EXPLOSION PROOF Type 58-CO, 58LT-CO,  
37-CO, 39-CO, 67-CO



DIN PLUG CONNECTOR  
MOULDED ENCLOSURE  
WEATHER PROOF Type 22



HORIZONTAL CABLE ENTRY  
ALUMINIUM CAST ENCLOSURE  
EXPLOSION PROOF Type 37, 39



DIN PLUG CONNECTOR  
STEEL ENCLOSURE  
WEATHER PROOF Type 25  
EXPLOSION PROOF Type 65CR



BOTTOM CABLE ENTRY  
ALUMINIUM CAST ENCLOSURE  
WEATHER PROOF Type 17  
EXPLOSION PROOF Type 87, 66, 71



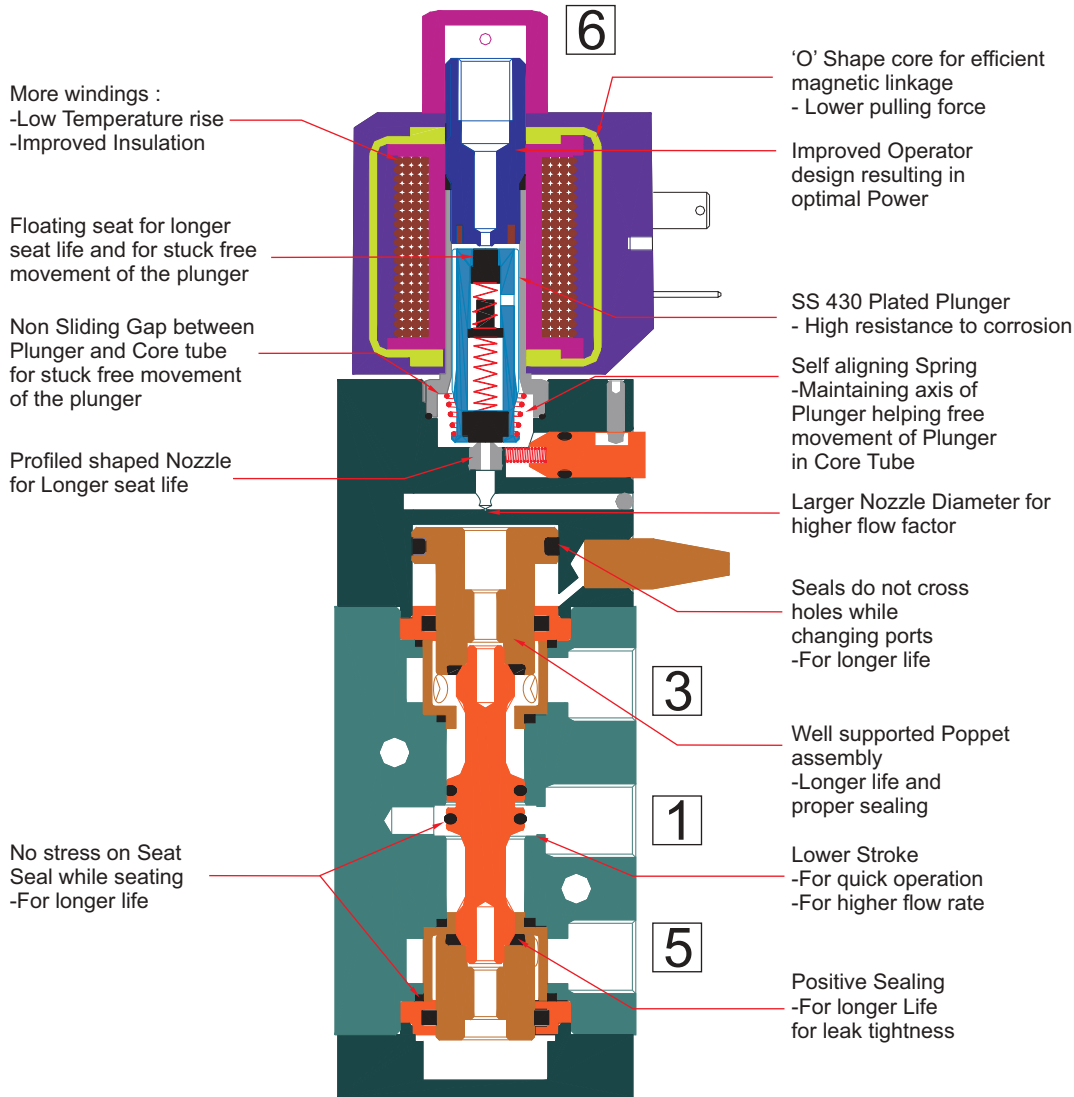
BOTTOM CABLE ENTRY  
STAINLESS STEEL CAST ENCLOSURE  
WEATHER PROOF Type 17-CO  
EXPLOSION PROOF Type 87-CO, 66-CO,  
71-CO

**Interchangeable across  
Voltage/ Current range without  
affecting performance of the Valve**

**5/2, 3/2 CONVERTIBLE INLINE POPPET, SPRING RETURN, NAMUR SINGLE SOLENOID VALVE**

**FEATURES**

- Bubble tight shut OFF
- Ideally suited where speed control by blocking exhaust is desired
- Power fail to reset
- Non return plug provided on the exhaust port
- In 3/2 mode exhaust purged to spring chamber
- Suitable for high speed cycling, speed upto 500 cycles/ min
- Life >20 million cycles



**WEIGHT IN kg. (Appx.)**

**Valve**

| Orifice - Port Connection | Al   | SS   |
|---------------------------|------|------|
| 6-2G/ 2R                  | 0.90 | 1.90 |
| 12-4G/ 4R                 | 1.70 | 3.90 |

**Solenoid**

| Type     | Size     | Type           | Size       | Enclosure |           |
|----------|----------|----------------|------------|-----------|-----------|
|          |          |                |            | Al        | SS        |
| 25, 65CR | I 0.25   | 16, 19, 37,    | I          | 0.55      | 1.20      |
|          | II 0.45  | 39, 58,        | II, IV     | 0.85      | 1.70      |
|          | III 0.40 | 58LT, 67       | III        | 0.60      | 1.50      |
|          | IV 0.50  | 17, 66, 71, 87 | II, IV III | 1.00 0.90 | 1.65 1.50 |

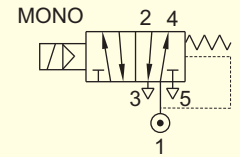
**VOLTAGE VARIATION**

(For Continuous Duty)

| Rated Voltage | Operating Voltage |
|---------------|-------------------|
| 6             | 4.8V to 7.2V      |
| 12            | 9.6V to 14.4V     |
| 24            | 19.2V to 28.8V    |
| 48            | 38.4V to 57.6V    |
| 110 to 120    | 88V to 132V       |
| 220/ 230/ 240 | 176V to 264V      |
| 256           | 205V to 280V      |

5/2, 3/2 CONVERTIBLE INLINE POPPET, SPRING RETURN, NAMUR SINGLE SOLENOID VALVE

| TYPE    | PRESSURE   |
|---------|------------|
| 51450   | 2 - 10 bar |
| 51450LW | 2 - 10 bar |
| 51450L4 | 2 - 8 bar  |
| 51450IS | 2 - 11 bar |
| 51450IR | 2 - 8 bar  |



WETTED PARTS

| Code            | ※                           | B5     |
|-----------------|-----------------------------|--------|
| Body            | Anodized Aluminium          | SS 316 |
| Internals       | Aluminium, Brass and SS 316 | SS 316 |
| Guide           | SS 304                      |        |
| Shadow-Ring     | Copper                      |        |
| Plunger, Insert | SS 430                      |        |
| Spring          | SS 302                      |        |
| Fasteners       | SS 304                      |        |
| Seat, Seals     | NBR, Viton                  |        |

Match Slot to 3/2 for 3/2



Match Slot to 5/2 for 5/2



PESO



CE

UL



EAC



KOSHA



NACE MR 0175-1

APPLICATION

Operation of double/ single acting Actuator

SPARES

| SPARE KIT   | CODE |
|---|------|
| Seal Kit : Oring Set and Plunger Assembly                   | 98   |
| Repair Kit : All components except Body, Cover and Solenoid | 99   |
| Solenoid Kit : Solenoid, Gasket and Nut                     | 34   |

POWER

| Power | Normal |         | Low                |           | Ex ia               |  |
|-------|--------|---------|--------------------|-----------|---------------------|--|
|       | 6W/ 8W | 2W      | 0.4W               | Type : 66 | Type : 65CR, 67, 71 |  |
| Type  | 51450  | 51450LW | 51450LW<br>51450L4 | 51450     | 51450IS,<br>51450IR |  |
| Size  | I/ III | I/ III  | III                | III       | III                 |  |

PORT CONNECTION

| VALVE TYPE  | MODE            | INLET | OUTLET | OUTLET | EXHAUST | EXHAUST | PILOT EXHAUST |
|---|-----------------|-------|--------|--------|---------|---------|---------------|
| 51450,<br>51450LW,<br>51450IS,<br>51450L4,<br>51450IR | Single Solenoid | 1     | 2      | 4      | 3       | 5       | 6             |

Contact Rotex for  
• Any other Temperature Range, Media and Application

**5/2, 3/2 CONVERTIBLE INLINE POPPET, SPRING RETURN, NAMUR SINGLE SOLENOID VALVE**

**SPECIFICATION**

| VALVE                                 |  | SOLENOID               |   |
|---------------------------------------|--|------------------------|---|
| <b>Valve Type</b>                     | 5/2, 3/2 Convertible Inline Poppet, Spring Return, NAMUR single Solenoid Valve                                   | <b>Voltage-Current</b> | DC<br>12V, 24V, 48V, 110V, 220V, 256V   |
| <b>Body Material</b>                  | Aluminium/ Stainless Steel 316   |                        | AC (50Hz/ 60Hz)<br>24V, 110V, 120V, 230V, 240V                                      |
| <b>Port Connection</b>                | 1/4", 1/2"   |                        | AC/ DC (50Hz/ 60Hz/ DC)<br>24V, 110V, 120V, 220V, 240V                              |
| <b>Orifice</b>                        | 6mm/ 12mm  | <b>Power</b>           | 8W/ 6W/ 2W/ 0.4W  |
| <b>Seals</b>                          | NBR/ Viton GLT   | <b>Protection</b>      | Weather Proof IP67<br>Explosion Proof Ex d, Ex ia,<br>Ex e mb, IIC, T6/ T5/ T4 IP67 |
| <b>Manual Override</b>                | Stayput/ Momentary/ Without Manual Override  | <b>Cable Entry</b>     | Pg 9 / M20X1.5/ 1/2" NPT/<br>M25X1.5  |
| <b>Flow factor Orifice-kv/ Kv/ Cv</b> | 6mm-12/ 0.72/ 0.84<br>12mm-50/ 3.0/ 3.5  |                        |   |
| <b>Media</b>                          | Air, Diesel, Hydraulic Oil, Inert Gas, Kerosene, LPG, Lubricating Oil, Petrol (Motor Spirit), Turbine Oil, Water |                        |   |
| <b>13 Ambient, Fluid Temperature</b>  | - 25 °C to 75 °C, Optionally -40 °C to 140 °C  |                        |   |
| <b>Response ON/ OFF</b>               | ≤ 50ms/ ≤ 90ms   |                        |   |
| <b>Pressure</b>                       | 2-8 bar, 2-10 bar, 2-11 bar  |                        |   |

**ORDERING CODE Solenoid Valve (Valve Code + Solenoid Code)**

|                         |     |                      |                  |                 |               |                 |       |            |          |
|-------------------------|-----|----------------------|------------------|-----------------|---------------|-----------------|-------|------------|----------|
| VALVE TYPE              | SIL | SUFFIX               | ORIFICE          | PORT CONNECTION | BODY INTERNAL | MANUAL OVERRIDE | SEAL  | 27 MEDIA   |          |
| 51450V02                | *   | *                    | 6                | 2G              | B5            | M0              | S2G   | *          |          |
| ACCESSORIES VALVE, PORT | +   | SIZE                 | VOLTAGE, CURRENT | ENCLOSURE       | 7 MTL         | SPECIAL         | POWER | INSULATION | APPROVAL |
| A6                      |     | I                    | 24V DC           | 16              | CO            | *               | *     | *          | *        |
| SIL                     | -   | ACCESSORIES SOLENOID |                  |                 |               |                 |       |            |          |
| *                       |     | B4                   |                  |                 |               |                 |       |            |          |

**ORDERING CODE Valve Spare Kit**

|           |                         |     |        |         |                 |               |                 |
|-----------|-------------------------|-----|--------|---------|-----------------|---------------|-----------------|
| SPARE KIT | VALVE TYPE              | SIL | SUFFIX | ORIFICE | PORT CONNECTION | BODY INTERNAL | MANUAL OVERRIDE |
| 99        | 51450V02                | *   | *      | 6       | 2G              | B5            | M0              |
| SEAL      | ACCESSORIES VALVE, PORT |     |        |         |                 |               |                 |
| S2G       | A6                      |     |        |         |                 |               |                 |

**ORDERING CODE Spare Solenoid**

|              |      |                      |           |       |         |       |            |          |
|--------------|------|----------------------|-----------|-------|---------|-------|------------|----------|
| SOLENOID KIT | SIZE | VOLTAGE, CURRENT     | ENCLOSURE | 7 MTL | SPECIAL | POWER | INSULATION | APPROVAL |
| 34           | I    | 24V DC               | 16        | CO    | *       | *     | *          | *        |
| SIL          | -    | ACCESSORIES SOLENOID |           |       |         |       |            |          |
| *            |      | B4                   |           |       |         |       |            |          |

| VALVE TYPE-ORIFICE                      |  |
|---|--|
| CODE                                    | DESCRIPTION  |
| <b>NORMAL POWER</b>                     |  |
| 51450V02-6                              | 2-10 bar, 8 Watt, Port 1/4"                            |
| 51450-12                                | 2-10 bar, 8 Watt, Port 1/2"                            |
| <b>LOW POWER</b>                        |  |
| 51450V02LW-6                            | 2-10 bar, 2 Watt, Port 1/4", Power LW2                 |
| 51450LW-12                              | 2-10 bar, 2 Watt, Port 1/2", Power LW2                 |
| 1 51450V02LW-6                          | 2-10 bar, 0.4 Watt, Port 1/4", Size III, Power LB04    |
| 1 51450LW-12                            | 2-10 bar, 0.4 Watt, Port 1/2", Size III, Power LB04    |
| 51450V02L4-6                            | 2-8 bar, 0.4 Watt, Port 1/4", Size III, Power LW0.4    |
| 51450L4-12                              | 2-8 bar, 0.4 Watt, Port 1/2", Size III, Power LW0.4    |
| <b>INTRINSICALLY SAFE Ex ia 24 V DC</b> |  |
| 51450V02-6                              | 2-10 bar, Port 1/4", Ex ia Enclosure Type 66, Size III |
| 51450-12                                | 2-10 bar, Port 1/2", Ex ia Enclosure Type 66, Size III |
| 51450V02IS-6                            | 2-11 bar, Port 1/4", Enclosure Type 65CR, 67, 71       |
| 51450IS-12                              | 2-11 bar, Port 1/2", Enclosure Type 65CR, 67, 71       |
| 51450V02IR-6                            | 2-8 bar, Port 1/4", Enclosure Type 65CR, 67, 71        |
| 51450IR-12                              | 2-8 bar, Port 1/2", Enclosure Type 65CR, 67, 71        |

| SIL CERTIFIED |             |
|---------------|-------------|
| CODE          | DESCRIPTION |
| 1 *           | NO          |
| SL            | YES         |

| SUFFIX |             |
|--------|-------------|
| CODE   | DESCRIPTION |
| 1 *    | NIL         |
| 8 AM   | Ammonia     |

| ORIFICE |             |
|---------|-------------|
| CODE    | DESCRIPTION |
| 6       | 6 mm        |
| 12      | 12 mm       |

| PORT CONNECTION |             |
|-----------------|-------------|
| CODE            | DESCRIPTION |
| 2G              | 1/4" BSP    |
| 2R              | 1/4" NPT    |
| 4G              | 1/2" BSP    |
| 4R              | 1/2" NPT    |

| BODY MATERIAL |                       |
|---------------|-----------------------|
| CODE          | DESCRIPTION           |
| 1 *           | ALUMINIUM             |
| B5            | SS316                 |
| B5N           | SS316 NACE Compliance |

| MANUAL OVERRIDE |             |
|-----------------|-------------|
| CODE            | DESCRIPTION |
| M0              | NIL         |
| 1 *             | Stayput     |
| M8              | Momentary   |

5/2, 3/2 CONVERTIBLE INLINE POPPET, SPRING RETURN, NAMUR SINGLE SOLENOID VALVE

| SEAL |                            |       |
|------|----------------------------|-------|
| CODE | GRADE, AMBIENT TEMPERATURE | MEDIA |
| ① ✖  | NBR, -25 °C to 75 °C       | ① ✖   |
| S2G  | VITON, -40 °C to 160 °C    | ✓     |

| ⑦ MEDIA |                |
|---------|----------------|
| CODE    | DESCRIPTION    |
| ① ✖     | Air, Inert Gas |

| SIZE-VOLTAGE CURRENT |      |  |
|----------------------|------|--|
| CODE                 | SIZE | COIL VOLTAGE                                 |
| I-12V DC             | I    | 12V DC                                       |
| I-24V DC             | I    | 24V DC                                       |
| I-24V 50Hz           | I    | 24V 50Hz/ 60Hz                               |
| I-110V 50Hz          | I    | 110V 50Hz/ 120V 60Hz                         |
| I-230V 50Hz          | I    | 230V 50Hz/ 240V 60Hz                         |
| III-12V DC           | III  | 12V DC                                       |
| III-24V DC           | III  | 24V DC                                       |
| III-24V 50Hz         | III  | 24V 50Hz/ 60Hz                               |
| III-24V AC/ DC       | III  | ④ 24V 50Hz/ 60Hz/ DC                         |
| III-48V DC           | III  | 48V DC                                       |
| III-110V DC          | III  | 110V DC                                      |
| III-110V 50Hz        | III  | 110V 50Hz/ 120V 60Hz                         |
| III-110V AC/ DC      | III  | ④ 110V 50Hz/ 60Hz/ DC<br>120V 50Hz/ 60Hz/ DC |
| III-220V DC          | III  | 220V DC                                      |
| III-230V 50Hz        | III  | 230V 50Hz/ 240V 60Hz                         |
| III-230V AC/ DC      | III  | ④ 220V 50Hz/ 60Hz/ DC<br>240V 50Hz/ 60Hz/ DC |
| III-256V DC          | III  | 256V DC                                      |

| ENCLOSURE TYPE                             |   |
|--|---|
| CODE                                       | DESCRIPTION   |
| WEATHER PROOF                              |   |
| ⑤ 22                                       | DIN Plug Solenoid, IP 67, Cable Entry PG9 as per DIN43650A, Size I                  |
| ⑤ 25                                       | DIN Plug Solenoid, IP 67, Cable Entry PG9 as per DIN43650B, Size III                |
| 16   | Integrated Terminal box, IP67, 1/2" NPT, -40°C to 100°C                             |
| 16A  | Integrated Terminal box, IP68, 1/2" NPT, -40°C to 100°C                             |
| 19   | Integrated Terminal box, IP67, M20 X 1.5, -40°C to 100°C                            |
| 19A  | Integrated Terminal box, IP68, M20 X 1.5, -40°C to 100°C                            |
| 17   | Integrated Terminal box, Bottom cable entry M25 X 1.5, Size III, Insulation Class H |
| 17NS                                       | Integrated Terminal box, Bottom cable entry 1/2" NPT, Size III, Insulation Class H  |
| EXPLOSION PROOF Ex d (For Gas and Dust)    |   |
| ⑬ 37                                       | Ex d IIC, IP66, 1/2" NPT, -40°C to 60°C   |
| ⑬ 39                                       | Ex d IIC, IP66, M20 X 1.5, -40°C to 60°C  |
| 87   | Ex d IIC, IP67, M25 X 1.5, Size III, -60°C to 100°C                                 |
| 87MS                                       | Ex d IIC, IP67, M20 X 1.5, Size III, -60°C to 100°C                                 |
| 87NS                                       | Ex d IIC, IP67, 1/2" NPT, Size III, -60°C to 100°C                                  |
| EXPLOSION PROOF Ex e mb (For Gas and Dust) |   |
| 58   | Ex e mb IIC, IP67, M25 X 1.5, -40°C to 70°C   |
| 58MS                                       | Ex e mb IIC, IP67, M20 X 1.5, -40°C to 70°C   |
| 58NS                                       | Ex e mb IIC, IP67, 1/2"NPT, -40°C to 70°C   |
| 58LT                                       | Ex e mb IIC, IP67, M25 X 1.5, -60°C to 70°C   |
| 58LTMS                                     | Ex e mb IIC, IP67, M20 X 1.5, -60°C to 70°C   |
| 58LTNS                                     | Ex e mb IIC, IP67, 1/2"NPT, -60°C to 70°C   |
| EXPLOSION PROOF Ex ia (For Gas and Dust)   |   |
| ③ 65CR                                     | Ex ia IIC, IP67, DIN Plug In Enclosure, PG9, Size III, -60°C to 70°C                |
| 66   | Ex ia IIC, IP67, M25 X 1.5, Size III, Booster Circuit, -60°C to 70°C                |
| 66MS                                       | Ex ia IIC, IP67, M20 X 1.5, Size III, Booster Circuit, -60°C to 70°C                |
| 66NS                                       | Ex ia IIC, IP67, 1/2" NPT, Size III, Booster Circuit, -60°C to 70°C                 |
| 67   | Ex ia IIC, IP67, M25 X 1.5, Size III, -60°C to 70°C                                 |
| 67MS                                       | Ex ia IIC, IP67, M20 X 1.5, Size III, -60°C to 70°C                                 |
| 67NS                                       | Ex ia IIC, IP67, 1/2" NPT, Size III, -60°C to 70°C                                  |
| 71   | Ex ia IIC, IP67, M25 X 1.5, Size III, -60°C to 70°C                                 |
| 71MS                                       | Ex ia IIC, IP67, M20 X 1.5, Size III, -60°C to 70°C                                 |
| 71NS                                       | Ex ia IIC, IP67, 1/2" NPT, Size III, -60°C to 70°C                                  |

| ⑦ ENCLOSURE MATERIAL |                                    |
|----------------------|------------------------------------|
| CODE                 | DESCRIPTION                        |
| ① ✖                  | Aluminium Cast Epoxy Powder Coated |
| CO                   | CF8M (Stainless Steel Cast)        |

| SPECIAL |   |
|---------|---|
| CODE    | DESCRIPTION   |
| ① ✖     | NIL   |
| ⑦ FR    | Full Rectifier with Surge Suppressor Size II, III, IV |
| ⑱ LD    | LED, Size II, III, IV                                 |
| ⑫ SS    | Surge Suppressor Size II, III, IV                     |

| INSULATION |             |
|------------|-------------|
| CODE       | DESCRIPTION |
| ① ✖        | CLASS F     |
| H          | CLASS H     |

| SIL  |             |
|------|-------------|
| CODE | DESCRIPTION |
| ① ✖  | NO          |
| SL   | YES         |

| POWER |      |            |        |        |                 |                       |        |         |                      |                       |                       |                      |             |                       |
|-------|------|------------|--------|--------|-----------------|-----------------------|--------|---------|----------------------|-----------------------|-----------------------|----------------------|-------------|-----------------------|
| CODE  | SIZE | POWER WATT | 12V DC | 24V DC | 24V 50Hz        | 24V AC/ DC            | 48V DC | 110V DC | 110V 50Hz            | 110V AC/ DC           | 230V 50Hz             | 220V DC              | 230V AC/ DC | 256V DC               |
|       |      |            | 12V DC | 24V DC | 24V 50Hz/ 60 Hz | ④ 24V 50Hz/ 60 Hz/ DC | 48V DC | 110V DC | 110V 50Hz/ 120V 60Hz | ④ 110V 50Hz/ 60Hz/ DC | ④ 120V 50Hz/ 60Hz/ DC | 230V 50Hz/ 240V 60Hz | 220V DC     | ④ 220V 50Hz/ 60Hz/ DC |
| LW2   | I    | 2.0        |        | ✓      |                 |                       |        |         |                      |                       |                       |                      |             |                       |
| ① ✖   | I    | 6.0        |        |        | ✓               |                       |        |         | ✓                    |                       |                       |                      |             |                       |
| ① ✖   | I    | 8.0        | ✓      | ✓      |                 |                       |        |         |                      |                       |                       |                      |             |                       |
| LW0.4 | III  | 0.4        |        | ✓      |                 |                       |        |         |                      |                       |                       |                      |             |                       |
| LW2   | III  | 2.0        | ✓      | ✓      |                 |                       |        | ✓       |                      | ✓                     |                       |                      |             |                       |
| ① ✖   | III  | 6.0        |        |        | ✓               |                       |        |         | ✓                    |                       |                       |                      |             |                       |
| ① ✖   | III  | 8.0        | ✓      | ✓      |                 |                       | ✓      | ✓       |                      | ✓                     |                       |                      | ✓           |                       |
|       |      | 9.0        |        |        |                 |                       |        |         |                      |                       | ✓                     |                      |             | ✓                     |
| ⑪     | III  | 0.4        |        | ✓      |                 |                       |        |         |                      |                       |                       |                      |             |                       |
| LB04  | III  | 0.4        |        | ✓      |                 |                       |        |         |                      |                       |                       |                      |             |                       |

**5/2, 3/2 CONVERTIBLE INLINE POPPET, SPRING RETURN, NAMUR SINGLE SOLENOID VALVE**

| APPROVAL |   | 9 ENCLOSURE TYPE |    |    |    |      |      |    |    |    |    |
|----------|---|------------------|----|----|----|------|------|----|----|----|----|
| CODE     | DESCRIPTION   | 17               | 37 | 39 | 58 | 58LT | 65CR | 66 | 67 | 71 | 87 |
| ① 15 ✕   | CCOE/ PESO + BIS, Insulation Class H  |                  | ✓  | ✓  |    |      | ✓    | ✓  | ✓  | ✓  | ✓  |
| 01       | CE - ATEX, Insulation Class H   |                  | ✓  | ✓  | ✓  | ✓    |      |    |    |    |    |
| 01       | IEC Ex + ATEX, Insulation Class H   |                  |    |    |    |      |      | ✓  | ✓  | ✓  | ✓  |
| 01B      | INDIAN + ATEX, Insulation Class H   |                  | ✓  | ✓  |    |      |      | ✓  |    |    | ✓  |
| 02       | UL Recognised, for USA and Canada, Type 3, 3S, 4, 4X, 6, 6P UL file Number E 342217 | ✓                |    |    |    |      |      |    |    |    |    |
| 03       | INMETRO + ATEX, Insulation Class H  |                  | ✓  | ✓  |    |      |      | ✓  | ✓  | ✓  | ✓  |
| 03C      | IEC Ex + ATEX + IN METRO + CuTR-EAC   |                  |    |    |    |      |      |    |    |    | ✓  |
| 03U      | IEC Ex + ATEX + IN METRO + UL (Type 3, 3S, 4, 4X, 6, 6P)                            | ✓                |    |    |    |      |      |    |    |    |    |
| 04       | CuTR- EAC + ATEX , Insulation Class H   |                  | ✓  | ✓  |    |      |      | ✓  | ✓  | ✓  | ✓  |
| 04U      | IEC Ex + ATEX + CuTR + UL (Type 3, 3S, 4, 4X, 6, 6P)                                | ✓                |    |    |    |      |      |    |    |    |    |
| ② 07     | KOSHA + ATEX, Insulation Class H  |                  |    |    |    |      |      |    |    |    |    |
| 08       | Ukraine, Insulation Class H   |                  |    |    |    |      |      | ✓  | ✓  | ✓  | ✓  |
| ⑬ MN     | DGMS+CCOE/ PESO + BIS, Insulation Class H   |                  | ✓  | ✓  |    |      | ✓    | ✓  | ✓  | ✓  | ✓  |
| ⑳ CE     | CE (Weatherproof Solenoid)  | ✓                |    |    |    |      |      |    |    |    |    |

**Note :**

- ① Do not Specify when opted for
- ② Approval Other than BIS, CCOE/ PESO, DGMS
- ③ Approved BIS, CCOE/ PESO, DGMS
- ④ Opt FR from special
- ⑤ Current DC, 50Hz, 60Hz
- ⑦ Do not Opt for Enclosure Type 01, 06, 22, 25
- ⑧ Select Body Material SS316, (B5) Solenoid with DC or AC/ DC
- ⑨ All variation of 17, 37, 39, 58, 58LT, 65CR, 66, 67, 71, 87 included
- ⑩ Media should be Oil free Air/ Inert Gas/ Water
- ⑪ Do not opt for 01, 06, 22, 25. In Rush 2W for 100 msec, Holding 0.4W
- ⑫ Current DC
- ⑬ Ambient Temperature restricted for Enclosure Type 17, 37, 39, 58, 58LT, 62, 65CR, 66, 67, 71, 87 to Solenoid Ambient Temperature
- ⑭ Select Nil or one Accessories from each valve A1 to A6 for Solenoid and from B1 to B8
- ⑮ IP 67 Certified by BIS, CCOE/ PESO, DGMS
- ⑯ Can not be opted for Enclosure Type 01, 06
- ⑰ Can be opted for Enclosure Type 01, 06, 16, 19, 22, 25
- ⑱ KOSHA certificate only for enclosure size II ≤ 20W
- ⑲ Do not Opt for Enclosure Type 01, 06, 22
- ⑳ Media shall not be part of Ordering code but It shall be printed separately on Valve

**ENTITY PARAMETER**

| Entity Parameter |        |
|------------------|--------|
| Ui               | 32V DC |
| Ii               | 230mA  |
| Pi               | 2.3W   |
| Ci               | 0      |
| Li               | 0      |

**MINIMUM OPERATING PARAMETER**

| Type                 | 66                           | 66..LD.. | 65CR        | 67   | 67..LD.. | 71   | 71..LD.. | 65CR         | 67   | 67..LD.. | 71   | 71..LD.. |
|----------------------|------------------------------|----------|-------------|------|----------|------|----------|--------------|------|----------|------|----------|
| Minimum Voltage (V)  | 10                           | 10       | 11          | 11   | 11       | 11   | 11       | 14           | 14   | 15       | 14   | 14       |
| Minimum Current (mA) | 20                           | 21       | 19          | 19   | 22       | 19   | 22       | 25           | 25   | 28       | 25   | 28       |
| Minimum Power (W)    | 0.20                         | 0.21     | 0.21        | 0.21 | 0.24     | 0.21 | 0.24     | 0.35         | 0.35 | 0.42     | 0.35 | 0.42     |
| LED                  | No                           | Yes      | No          | No   | Yes      | No   | Yes      | No           | No   | Yes      | No   | Yes      |
| Pressure (bar)       | As per Solenoid Valve rating |          | Maximum 8.0 |      |          |      |          | Maximum 11.0 |      |          |      |          |

**RESPONSE ON TIME FOR SOLENOID TYPE 66, 66..LD..**

| Voltage (V)          | 10   | 11   | 12   | 14   | 18  | 22   | 24   | 26  | 30  | 32  | Current (mA)         | 18.5 | 20   | 25   | 30   |
|----------------------|------|------|------|------|-----|------|------|-----|-----|-----|----------------------|------|------|------|------|
| Current (mA)         | 20   | 22   | 24   | 28.5 | 37  | 45.5 | 49.7 | 54  | 63  | 67  | Open Ckt Voltage (V) | 19.5 | 19.5 | 19.5 | 19.5 |
| Response Time (ms) ≤ | 4800 | 3800 | 2500 | 1600 | 850 | 650  | 450  | 400 | 250 | 250 | Time (ms) ≤          | 5000 | 4000 | 2500 | 2000 |

5/2, 3/2 CONVERTIBLE INLINE POPPET, SPRING RETURN, NAMUR SINGLE SOLENOID VALVE

**MARKING Explosion Proof**

**ENCLOSURE TYPE 37/ 39**

| SIZE           | Power              | BIS & PESO, DGMS  | EAC - CuTR (Russia)  | ATEX / INMETRO  |
|----------------|--------------------|---|--|---|
| I<br>II<br>IV  | ≤5W<br>≤8W<br>≤11W | Ex d IIC T6/T5 Gb, IP67<br>Ex tb IIIC T80°C/T95°C Db<br>-40°C ≤ Ta ≤ 65°C FOR T6<br>-40°C ≤ Ta ≤ 70°C FOR T5  | 1 Ex d IIC T6/ T5/ T4 Gb IP66<br>Ex tb IIIC T80°C / T95°C / T130°C Db IP66 ИЛИ<br>0°C ≤ Ta ≤ 35°C FOR T6<br>-40°C ≤ Ta ≤ 50°C FOR T5<br>-40°C ≤ Ta ≤ 60°C FOR T4 | Ex d IIC T6/ T5/ T4 Gb IP66<br>Ex tb IIIC T80°C / T95°C / T130°C Db IP66<br>-40°C ≤ Ta ≤ 35°C FOR T6<br>-40°C ≤ Ta ≤ 50°C FOR T5<br>-40°C ≤ Ta ≤ 60°C FOR T4<br>(Power ≤ 20W) |
| I<br>II<br>III | ≤8W<br>≤13W<br>≤8W | Ex d IIC T6/T5 Gb, IP67<br>Ex tb IIIC T80°C/T95°C Db<br>-40°C ≤ Ta ≤ 60°C FOR T6<br>-40°C ≤ Ta ≤ 70°C FOR T5  |  |   |
| III            | ≤15W               | Ex d IIC T6/T5/T4 ≤Gb, IP67<br>Ex tb IIIC T80°C/T95°C/T130°C Db<br>-40°C ≤ Ta ≤ 50°C FOR T6<br>-40°C ≤ Ta ≤ 65°C FOR T5<br>-40°C ≤ Ta ≤ 70°C FOR T4 |  |   |
| III<br>IV      | ≤5W<br>≤5W         | Ex d IIC T6 Gb, IP67<br>Ex tb IIIC T80°C Db<br>-40°C ≤ Ta ≤ 70°C FOR T6   |  |   |
| II             | ≤20W               | Ex d IIC T6/T5 Gb, IP67<br>Ex tb IIIC T80°C / T95°C Db<br>-40°C ≤ Ta ≤ 55°C FOR T6<br>-40°C ≤ Ta ≤ 70°C FOR T5                                      |  |   |
| II             | ≤30W               | Ex d IIC T6/T5/T4 Gb, IP67<br>Ex tb IIIC T80°C/T95°C/ T130°C Db<br>-40°C ≤ Ta ≤ 40°C FOR T6<br>-40°C ≤ Ta ≤ 55°C FOR T5<br>-40°C ≤ Ta ≤ 70°C FOR T4 |  |   |

**ENCLOSURE TYPE 87**

| SIZE            | Power              | ATEX, IEC Ex, BIS & PESO, DGMS  | INMETRO   | EAC - CuTR (Russia) / UKRANE   | KOSHA  |
|-----------------|--------------------|---|---|--|--|
| III<br>II<br>IV | ≤5W<br>≤8W<br>≤11W | Ex d IIC T6/T5/T4 Gb IP67<br>Ex t IIIC T80°C/T95°C/T130°C Db IP67<br>-60°C ≤ Ta ≤ +65°C for T6<br>-60°C ≤ Ta ≤ +80°C for T5<br>-60°C ≤ Ta ≤ +100°C for T4 | Ex d IIC T6/T5/T4 Gb<br>Ex t IIIC T85°C/T100°C/T135°C Db IP67<br>-60°C ≤ Ta ≤ +65°C for T6<br>-60°C ≤ Ta ≤ +80°C for T5<br>-60°C ≤ Ta ≤ +100°C for T4 | 1 Ex d IIC T6/T5/T4 Gb IP67<br>Ex tb IIIC T80°C/T95°C/T130°C Db ИЛИ<br>-60°C ≤ Ta ≤ +65°C for T6<br>-60°C ≤ Ta ≤ +80°C for T5<br>-60°C ≤ Ta ≤ +100°C for T4  | 형식 또는 모델명 : 87, BCE<br>규격 또는 등급 : Ex d IIC T3-T6<br>제조자명 : Rotex Automation Limited<br>안전인증 번호 : 15-AV4BO-0000 |
| III<br>II       | ≤8W<br>≤13W        | Ex d IIC T6/T5/T4 Gb IP67<br>Ex t IIIC T80°C/T95°C/T130°C Db IP67<br>-60°C ≤ Ta ≤ +60°C for T6<br>-60°C ≤ Ta ≤ +75°C for T5<br>-60°C ≤ Ta ≤ +100°C for T4 | Ex d IIC T6/T5/T4 Gb<br>Ex t IIIC T85°C/T100°C/T135°C Db IP67<br>-60°C ≤ Ta ≤ +60°C for T6<br>-60°C ≤ Ta ≤ +75°C for T5<br>-60°C ≤ Ta ≤ +100°C for T4 | 1 Ex d IIC T6/T5/T4 Gb IP67<br>Ex tb IIIC T80°C/T95°C/T130°C Db ИЛИ<br>-60°C ≤ Ta ≤ +60°C for T6<br>-60°C ≤ Ta ≤ +75°C for T5<br>-60°C ≤ Ta ≤ +100°C for T4  |  |
| III             | ≤15W               | Ex d IIC T6/T5/T4 Gb IP67<br>Ex t IIIC T80°C/T95°C/T130°C Db IP67<br>-60°C ≤ Ta ≤ +50°C for T6<br>-60°C ≤ Ta ≤ +65°C for T5<br>-60°C ≤ Ta ≤ +100°C for T4 | Ex d IIC T6/T5/T4 Gb<br>Ex t IIIC T85°C/T100°C/T135°C Db IP67<br>-60°C ≤ Ta ≤ +50°C for T6<br>-60°C ≤ Ta ≤ +65°C for T5<br>-60°C ≤ Ta ≤ +100°C for T4 | 1 Ex d IIC T6/T5/T4 Gb IP67<br>Ex tb IIIC T80°C/T95°C/T130°C Db ИЛИ<br>-60°C ≤ Ta ≤ +50°C for T6<br>-60°C ≤ Ta ≤ +65°C for T5<br>-60°C ≤ Ta ≤ +100°C for T4  |  |
| IV              | ≤5W                | Ex d IIC T6/T5/T4 Gb IP67<br>Ex t IIIC T80°C/T95°C/T130°C Db IP67<br>-60°C ≤ Ta ≤ +70°C for T6<br>-60°C ≤ Ta ≤ +85°C for T5<br>-60°C ≤ Ta ≤ +100°C for T4 | Ex d IIC T6/T5/T4 Gb<br>Ex t IIIC T85°C/T100°C/T135°C Db IP67<br>-60°C ≤ Ta ≤ +70°C for T6<br>-60°C ≤ Ta ≤ +85°C for T5<br>-60°C ≤ Ta ≤ +100°C for T4 | 1 Ex d IIC T6/T5/T4 Gb IP67<br>Ex tb IIIC T80°C/T95°C/T130°C Db ИЛИ<br>-60°C ≤ Ta ≤ +70°C for T6<br>-60°C ≤ Ta ≤ +85°C for T5<br>-60°C ≤ Ta ≤ +100°C for T4  |  |
| II              | ≤20W               | Ex d IIC T5/T4/T3 Gb IP67<br>Ex IIIC T95°C/T130°C/155°C Db IP67<br>-60°C ≤ Ta ≤ +45°C for T5<br>-60°C ≤ Ta ≤ +80°C for T4<br>-60°C ≤ Ta ≤ +100°C for T3   | Ex d IIC T5/T4/T3 Gb<br>Ex IIIC T100°C/T135°C/155°C Db IP67<br>-60°C ≤ Ta ≤ +45°C for T5<br>-60°C ≤ Ta ≤ +80°C for T4<br>-60°C ≤ Ta ≤ +100°C for T3   | 1 Ex d IIC T5/T4/T3 Gb IP67<br>Ex tb IIIC T95°C/T130°C/T155°C Db ИЛИ<br>-60°C ≤ Ta ≤ +45°C for T5<br>-60°C ≤ Ta ≤ +80°C for T4<br>-60°C ≤ Ta ≤ +100°C for T3 |  |
| II              | ≤30W               | Ex d IIC T4/T3 Gb IP67<br>Ex IIIC T130°C/T155°C Db IP67<br>-60°C ≤ Ta ≤ +60°C for T4<br>-60°C ≤ Ta ≤ +70°C for T3   | Ex d IIC T4/T3 Gb<br>Ex IIIC T135°C/T155°C Db IP67<br>-60°C ≤ Ta ≤ +60°C for T4<br>-60°C ≤ Ta ≤ +70°C for T3  | 1 Ex d IIC T4/T3 Gb IP67<br>Ex tb IIIC T130°C/T155°C Db ИЛИ<br>-60°C ≤ Ta ≤ +60°C for T4<br>-60°C ≤ Ta ≤ +70°C for T3  |  |

**5/2, 3/2 CONVERTIBLE INLINE POPPET, SPRING RETURN, NAMUR SINGLE SOLENOID VALVE**

**MARKING Explosion Proof**

**ENCLOSURE TYPE 58**

| SIZE | Power | CE-ATEX, Insulation H   |
|------|-------|---|
| I    | ≤5W   | Ex e mb IIC T6/ T5 IP67   |
| II   | ≤8W   | Ex tb IIIC T6/ T5 IP67  |
| IV   | ≤11W  | -40° C ≤ Ta ≤ 65° C for T6<br>-40° C ≤ Ta ≤ 70° C for T5  |
| I    | ≤8W   | Ex e mb IIC T6/ T5 IP67   |
| II   | ≤13W  | Ex tb IIIC T6/ T5 IP67  |
| III  | ≤8W   | -40° C ≤ Ta ≤ 60° C for T6<br>-40° C ≤ Ta ≤ 70° C for T5  |
| III  | ≤15W  | Ex e mb IIC T6/ T5/ T4 IP67<br>Ex tb IIIC T6/ T5/ T4 IP67<br>-40° C ≤ Ta ≤ 50° C for T6<br>-40° C ≤ Ta ≤ 65° C for T5<br>-40° C ≤ Ta ≤ 70° C for T4 |
| III  | ≤5W   | Ex e mb IIC T6 IP67   |
| IV   | ≤5W   | Ex tb IIIC T6 IP67<br>-40° C ≤ Ta ≤ 70° C for T6  |
| II   | ≤20W  | Ex e mb IIC T6/ T5 IP67<br>Ex tb IIIC T6/ T5 IP67<br>-40° C ≤ Ta ≤ 55° C for T6<br>-40° C ≤ Ta ≤ 70° C for T5                                       |
| II   | ≤30W  | Ex e mb IIC T6/ T5/ T4 IP67<br>Ex tb IIIC T6/ T5/ T4 IP67<br>-40° C ≤ Ta ≤ 40° C for T6<br>-40° C ≤ Ta ≤ 55° C for T5<br>-40° C ≤ Ta ≤ 70° C for T4 |

**ENCLOSURE TYPE 58LT**

| SIZE | Power | CE-ATEX, Insulation H   |
|------|-------|---|
| I    | ≤5W   | Ex e mb IIC T6/ T5 IP67   |
| II   | ≤8W   | Ex tb IIIC T6/ T5 IP67  |
| IV   | ≤11W  | -60° C ≤ Ta ≤ 65° C for T6<br>-60° C ≤ Ta ≤ 70° C for T5  |
| I    | ≤8W   | Ex e mb IIC T6/ T5 IP67   |
| II   | ≤13W  | Ex tb IIIC T6/ T5 IP67  |
| III  | ≤8W   | -60° C ≤ Ta ≤ 60° C for T6<br>-60° C ≤ Ta ≤ 70° C for T5  |
| III  | ≤15W  | Ex e mb IIC T6/ T5/ T4 IP67<br>Ex tb IIIC T6/ T5/ T4 IP67<br>-60° C ≤ Ta ≤ 50° C for T6<br>-60° C ≤ Ta ≤ 65° C for T5<br>-60° C ≤ Ta ≤ 70° C for T4 |
| III  | ≤5W   | Ex e mb IIC T6 IP67   |
| IV   | ≤5W   | Ex tb IIIC T6 IP67<br>-60° C ≤ Ta ≤ 70° C for T6  |
| II   | ≤20W  | Ex e mb IIC T6/ T5 IP67<br>Ex tb IIIC T6/ T5 IP67<br>-60° C ≤ Ta ≤ 55° C for T6<br>-60° C ≤ Ta ≤ 70° C for T5                                       |
| II   | ≤30W  | Ex e mb IIC T6/ T5/ T4 IP67<br>Ex tb IIIC T6/ T5/ T4 IP67<br>-60° C ≤ Ta ≤ 40° C for T6<br>-60° C ≤ Ta ≤ 55° C for T5<br>-60° C ≤ Ta ≤ 70° C for T4 |

**ENCLOSURE TYPE 66, 67 & 71**

| Enclosure | ATEX/ IECEx (Eurpoe)/ INMETRO/ CEPEL (Brazil)   | EAC - CuTR (Russia)   | BIS & PESO, DGMS   |
|-----------|---|---|--|
| Al Cast   | Ex ia IIC T5 Ga (-60°C ≤ Ta ≤ +75°C)<br>Ex ia IIC T6 Ga (-60°C ≤ Ta ≤ +60°C)<br>Ex ia IIIC T2oo 125°C IP67 Da (-60°C ≤ Ta ≤ +75°C)                                    | 0 Ex ia IIC T5 Ga IP67 (-60°C ≤ Ta ≤ +75°C)<br>0 Ex ia IIC T6 Ga IP67 (-60°C ≤ Ta ≤ +60°C)<br>0 Ex ia IIIC T2oo 125°C IP67 Da (-60°C ≤ Ta ≤ +75°C)  | Ex ia I/IIIC T5, IP67 (-40°C ≤ Ta ≤ 75°C)<br>Ex ia I/IIIC T6, IP67 (-40°C ≤ Ta ≤ 60°C) |
| SS Cast   | Ex ia IIC T5 Ga (-60°C ≤ Ta ≤ +75°C)<br>Ex ia IIC T6 Ga (-60°C ≤ Ta ≤ +60°C)<br>Ex ia IIIC T2oo 125°C IP67 Da (-60°C ≤ Ta ≤ +75°C)<br>Ex ia I Ma (-60°C ≤ Ta ≤ +75°C) | 0 Ex ia IIC T5 Ga IP67 (-60°C ≤ Ta ≤ +75°C)<br>0 Ex ia IIC T6 Ga IP67 (-60°C ≤ Ta ≤ +60°C)<br>0 Ex ia IIIC T2oo 125°C IP67 Da (-60°C ≤ Ta ≤ +75°C)<br>PO Ex ia I Ma (-60°C ≤ Ta ≤ +75°C) (ТОЛЬКО СТАЛЬ) ИЛИ |  |
|           | <b>Ukraine</b>  |   |  |
| Al Cast   | 0 Ex ia IIC T5 X -60°C ≤ Ta ≤ +75°C<br>0 Ex ia IIC T6 X -60°C ≤ Ta ≤ +60°C  |   |  |
| SS Cast   | PO Ia X -60°C ≤ Ta ≤ +75°C<br>(для варіанта у сталюму корпусі)<br>0 Ex ia IIC T5 X -60°C ≤ Ta ≤ +75°C<br>0 Ex ia IIC T6 X -60°C ≤ Ta ≤ +60°C                          |   |  |

**ENCLOSURE TYPE 65CR**

| BIS & PESO, DGMS   |
|--|
| Ex ia I/IIIC T5, IP67 (-40°C ≤ Ta ≤ 75°C)<br>Ex ia I/IIIC T6, IP67 (-40°C ≤ Ta ≤ 60°C) |

**MARKING Weather Proof**

**ENCLOSURE TYPE 17**

| US & Canada (UL Recognised)  |
|--|
| TYPE 3, 3R, 3S, 4, 4X, 6 & 6P<br>-60°C to +100°C POWER ≤20W<br>-60°C to +60°C 20W < POWER ≤30W |



5/2, 3/2 CONVERTIBLE INLINE POPPET, SPRING RETURN, NAMUR SINGLE SOLENOID VALVE

| ⑭ ACCESSORIES  |      |   |
|--|------|---|
|  | CODE | DESCRIPTION   |
|  | ① ✖  | NIL   |
|               | A1   | NRV Metallic Dust cap SS316, ideally suited for Protecting Valve internals from external Environment (Ambient Temperature - 60 °C to 150 °C), Water, Snow, Bugs, etc.                       |
|               | A3   | Silencer Sintered Bronze  |
|               | A4   | Silencer Sintered SS  |
|               | A5   | Dust Cap (Ambient Temperature - 20 °C to 80 °C)   |
|               | A6   | NRV Dust cap Nylon, ideally suited for preventing external Environmental Media/ Water/ Liquid entering in the valve. Supplied only for 1/4" BSP/ NPT (Ambient Temperature - 20 °C to 80 °C) |
|  | ① ✖  | NIL   |
|             | B1   | Weather Proof Cable Gland M20X1.5(M) Brass  |
|  | B5   | ATEX Approved Cable Gland (Plastic) M20X1.5(M) (Ambient Temperature - 20 °C to 80 °C)   |
|  | B6   | ATEX Approved Cable Gland (BRASS) M20X1.5(M) (Ambient Temperature - 20 °C to 80 °C)   |
|  | B7   | ATEX Approved Cable Gland (SS316) M20X1.5(M) (Ambient Temperature - 20 °C to 80 °C)   |
|  | B8   | Weather Proof Cable gland M20X1.5(M) (Plastic)  |
|  | B3   | Explosion Proof Double Compression Cable Gland (BRASS) 1/2" NPT(M) (Ambient Temperature - 20 °C to 80 °C), CCOE/ PESO Certified   |
|  | B4   | Explosion Proof Double Compression Cable Gland (SS316) 1/2" NPT(M) (Ambient Temperature - 20 °C to 80 °C), CCOE/ PESO Certified   |

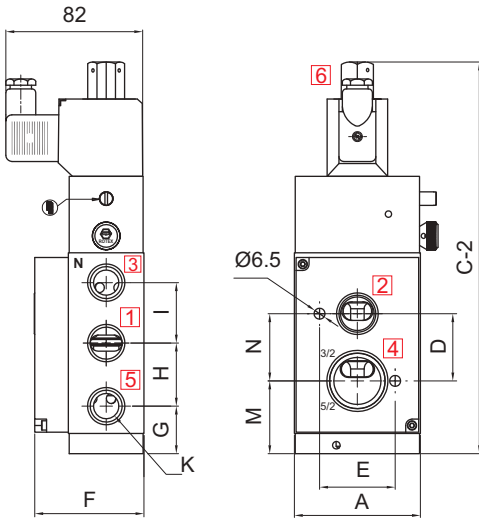
VALVE

SOLENOID

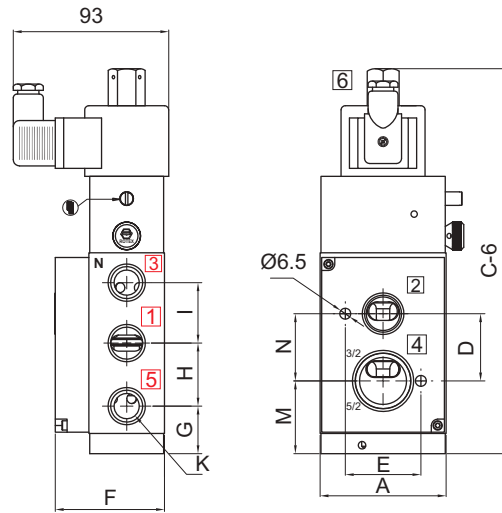
5/2, 3/2 CONVERTIBLE INLINE POPPET, SPRING RETURN, NAMUR SINGLE SOLENOID VALVE

**DIMENSIONS**

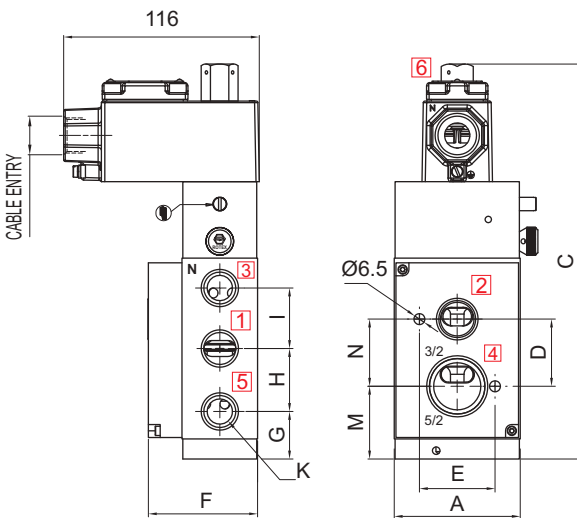
All Dimensions are in mm



|                 |                                       |
|-----------------|---------------------------------------|
| Valve Type      | 51450V02, 51450, 51450LW, 51450V02LW, |
| Enclosure Type  | 22                                    |
| Enclosure Size  | I                                     |
| Port Connection | 1/4", 1/2"                            |
| Body Material   | Aluminium, SS                         |



|                 |   |
|-----------------|---|
| Valve Type      | 51450V02, 51450, 51450V02LW, 51450V02IS, 51450LW, 51450V02L4, 51450L4, 51450IS, 51450IR, 51450V02IR |
| Enclosure Type  | 25, 65CR  |
| Enclosure Size  | III   |
| Port Connection | 1/4", 1/2"  |
| Body Material   | Aluminium, SS   |



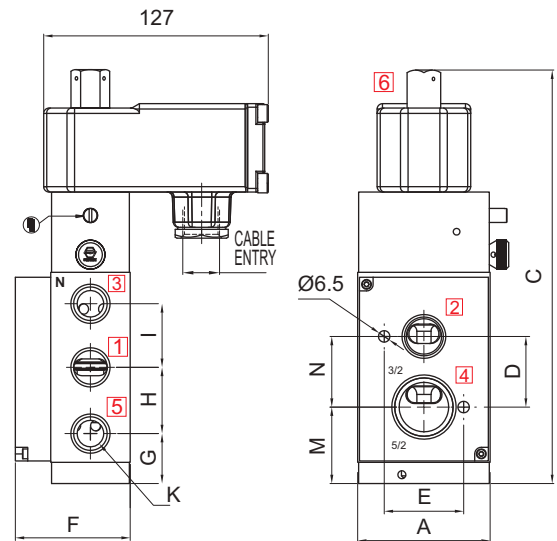
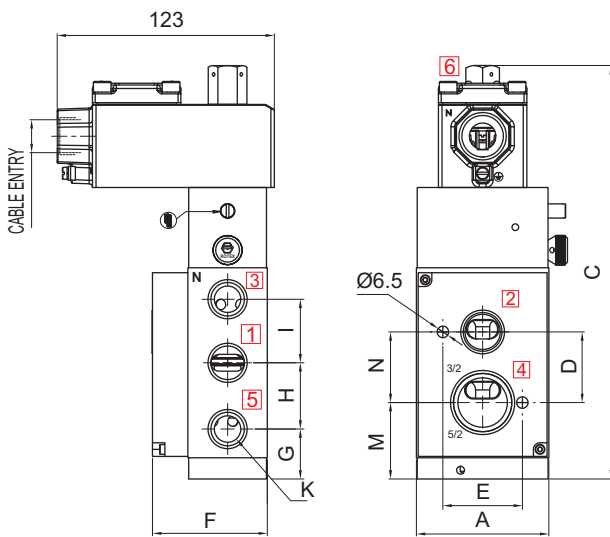
|                 |                                      |
|-----------------|--------------------------------------|
| Valve Type      | 51450V02, 51450, 51450LW, 51450V02LW |
| Enclosure Type  | 16, 19, 37, 39, 58, 58LT             |
| Enclosure Size  | I                                    |
| Port Connection | 1/4", 1/2"                           |
| Body Material   | Aluminium, SS                        |

|  |      |    |     |    |    |    |    |      |    |    |      |
|--|------|----|-----|----|----|----|----|------|----|----|------|
| Valve Type : 51450V02, 51450, 51450V02LW, 51450V02IS, 51450LW, 51450V02L4, 51450L4, 51450IS, 51450IR, 51450V02IR |      |    |     |    |    |    |    |      |    |    |      |
| NW   | K    | A  | C   | D  | E  | F  | G  | H    | I  | M  | N    |
| 6  | 1/4" | 53 | 198 | 24 | 32 | 48 | 25 | 24   | 24 | 38 | 22.5 |
| 12   | 1/2" | 75 | 235 | 40 | 45 | 65 | 28 | 37.5 | 36 | 43 | 40   |

**SERIES : 52S**

**5/2, 3/2 CONVERTIBLE INLINE POPPET, SPRING RETURN, NAMUR SINGLE SOLENOID VALVE**

**DIMENSIONS** All Dimensions are in mm



|                 |   |
|-----------------|---|
| Valve Type      | 51450V02, 51450, 51450V02LW, 51450V02IS, 51450LW, 51450V02L4, 51450L4, 51450IS, 51450IR, 51450V02IR |
| Enclosure Type  | 16, 19, 37, 39, 58, 58LT, 67  |
| Enclosure Size  | III   |
| Port Connection | 1/4", 1/2"  |
| Body Material   | Aluminium, SS   |

|                 |   |
|-----------------|---|
| Valve Type      | 51450V02, 51450, 51450V02LW, 51450V02IS, 51450LW, 51450V02L4, 51450L4, 51450IS, 51450IR, 51450V02IR |
| Enclosure Type  | 17, 87, 66, 71  |
| Enclosure Size  | III   |
| Port Connection | 1/4", 1/2"  |
| Body Material   | Aluminium, SS   |

|  |      |    |     |    |    |    |    |      |    |    |      |
|--|------|----|-----|----|----|----|----|------|----|----|------|
| Valve Type : 51450V02, 51450, 51450V02LW, 51450V02IS, 51450LW, 51450V02L4, 51450L4, 51450IS, 51450IR, 51450V02IR |      |    |     |    |    |    |    |      |    |    |      |
| NW   | K    | A  | C   | D  | E  | F  | G  | H    | I  | M  | N    |
| 6  | 1/4" | 53 | 198 | 24 | 32 | 48 | 25 | 24   | 24 | 38 | 22.5 |
| 12   | 1/2" | 75 | 235 | 40 | 45 | 65 | 28 | 37.5 | 36 | 43 | 40   |



## **ROTEX AUTOMATION LIMITED**

### **SALES HQ**

B/703/704, Western Edge-II,  
Off Western Express Highway,  
Borivali (East), Mumbai-400066  
Ph: +91 22 42111444  
Fax: +91 22 42111400

### **OVERSEAS:**

Bier Straat 117  
3011 XA  
Rotterdam  
The Netherlands  
Phone : +31 88 505 35 05  
Email : [info@rotexcontrols.nl](mailto:info@rotexcontrols.nl)

### **WORKS**

#### **UNIT 1**

987/11, GIDC Makarpura,  
Vadodara - 390010, Gujarat, INDIA.  
Ph. : +91 265 2638136/ 2638795/ 46  
Fax : +91 265 2638130

#### **UNIT 2**

C - 1 B/ 1501, 4 & 5, GIDC  
Vithal Udyognagar - 388121,  
Gujarat, INDIA.  
Ph. : +91 2692 236224/ 236292/ 236399  
Fax : +91 2692 236442