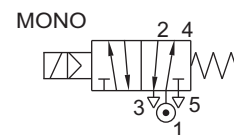


5/2, 3/2 CONVERTIBLE POPPET TYPE, NAMUR SOLENOID VALVE

TYPE	PRESSURE

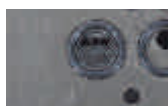
TYPE	PRESSURE

TYPE	PRESSURE
51424	1 - 10 bar



FEATURES

- Ideally suited for dusty out door application
- Poppet design for faster operation
- Dust cap fitted on exhaust port



Match Slot to 5/2 for 5/2

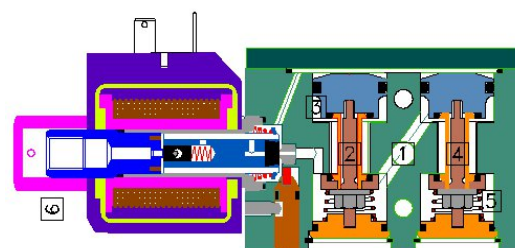


Match Slot to 3/2 for 3/2



WETTED PARTS

Code	※	B1	B5
Body	Anodized Aluminium	Anodized Aluminium	SS 316
Internals	Aluminium, Brass and SS 316	SS 316	SS 316
Guide Assembly	SS 304		
Shadow-Ring	Copper/ Silver/ None		
Plunger, Insert	SS 430		
Spring/ Circlip	SS 302/ Steel Plated		
Fasteners	SS 304		
Seat, Seals	NBR, Viton		



AMBIENT AND FLUID TEMPERATURE

-30 °C to 75 °C

SPECIAL VERSION AND SUFFIX

Suffix : (Valve) AM
Special version : (Solenoid) CO, FR, SS, LC, III

MEDIA

Air, Inert Gases

APPLICATION

Operation of double/ single acting actuator

PORT CONNECTION

INLET	OUTLET	OUTLET	EXHAUST	EXHAUST	PILOT EXHAUST
1	2	4	3	5	6

Contact Rotex for

- Any other ambient, fluid temperature, media and application
- UL listed, Listed general purpose Valve



SPARES

(Refer page 25 for ordering code)

SPARE KIT	CODE
Seal Kit : Oring Set and Plunger Assembly	98
Repair Kit : Oring Set, Plunger Assembly, Fastener, Springs, Manual Override, Guide Assembly, Piston Kit	99
Solenoid Kit : Solenoid, Gasket and Nut	34

APPROVAL

(★ applied for)

Approval	TYPE 4X, 6P	IP67	Ex d IIC T4 or T5 or T6 IP66	Ex ia IIC T6 IP67	DGMS	CCOE
		✓	✓	✓	✓	✓
CE		✓	✓	✓		
UL	✓		*			
			✓	✓		
EAC			✓	✓		
			✓	✓		

5/2, 3/2 CONVERTIBLE POPPET TYPE, NAMUR SOLENOID VALVE

SPECIFICATION

PORT CONNECTION		PRE-SSURE bar	ORIFICE (mm)		FLOW FACTOR Kv (LPM OF WATER @ 1 bar ΔP)	VALVE TYPE	PILOT PRESSURE	BODY MATERIAL AND INTERNALS		SEALS			MANUAL OVERRIDE		SOLENOID ENCLOSURE		OUTLET PORT	POWER VA		CONSTRUCTION REFERENCE NUMBER										
SIZE	BSP(F)	NPT(F)	MINIMUM	MAXIMUM				ALUMINIUM	ALUMINIUM + SS	BRASS (STD. PORT NPT)	SS 316/CF8 (STD. PORT NPT)	NBR	Viton	EPDM	HYTREL	PTFE	NIL	STAYPUT CUM MOMENTARY	MOMENTARY		FLYING LEAD	PLUG IN, IP67	SQ. PLUG IN, IP67	TERMINAL BOX IP67	EXPLOSION PROOF IIC, IP67	LARGE ENCLOSURE	SOLENOID SIZE	NAMUR	AC INRUSH	AC HOLDING

5/2, 3/2 CONVERTIBLE SINGLE SOLENOID

1/4"	2G	2R	2	10	6	12	51424	*	B1	B5	*	S2		M0	*	M8	22	T	E	14	2	18	12	8	N11
------	----	----	---	----	---	----	-------	---	----	----	---	----	--	----	---	----	----	---	---	----	---	----	----	---	-----

Cable Entry	T	E		
		Öc/Ä	Öc/Äe	Öc/Ä(ä)
M20 x 1.5	FJ	HU	iiTÜ	iiTÜ
M25 x 1.5		ii	ii	ii
1/2" NPT	Fi	H	iiPÜ	iiPÜ

* = Do not specify when opted for. Refer Page # 22 for Value of *

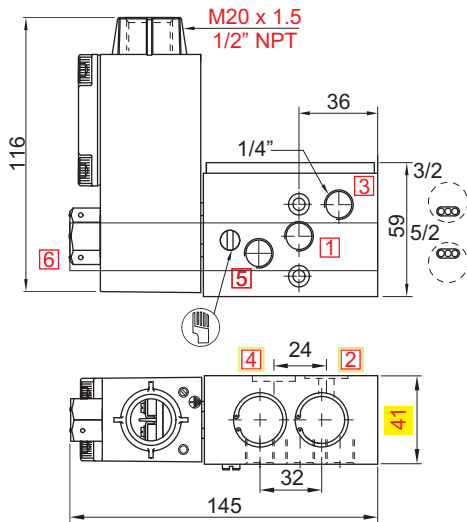
ORDERING CODE, EXAMPLE VALVE + SOLENOID

TYPE - SUFFIX - ORIFICE - PORT CONNECTION - BODY AND INTERNALS - MANUAL OVERRIDE - SEAL + SIZE - VOLTAGE - CURRENT - SOLENOID ENCLOSURE - APPROVAL - INSULATION - SPECIAL VERSION
 e.g. 51424-6-2G+220V 50Hz-22

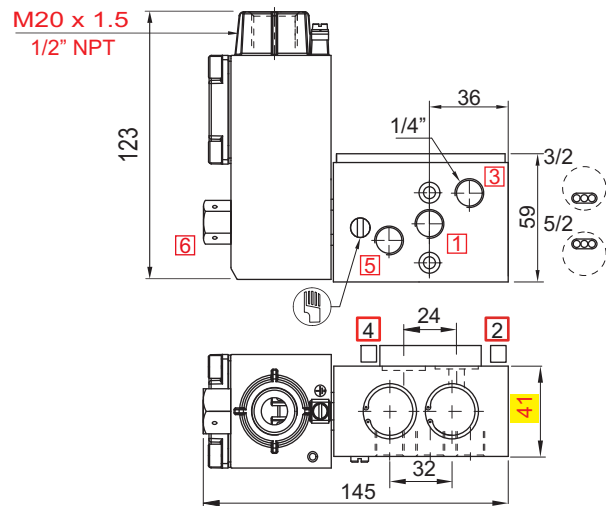
DIMENSIONS

All Dimensions are in mm

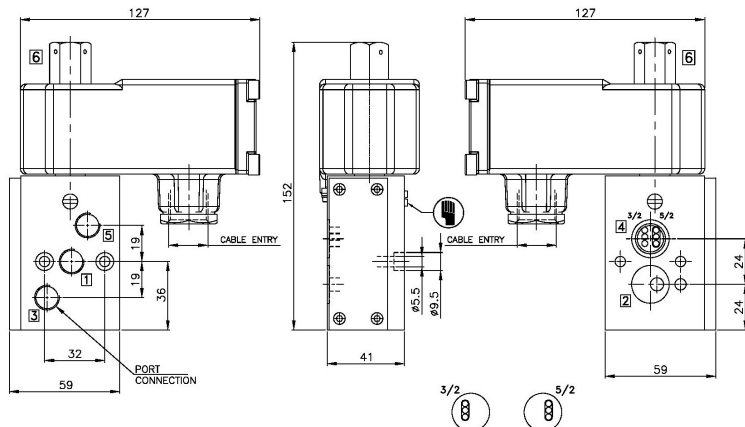
CONSTRUCTION REFERENCE N11



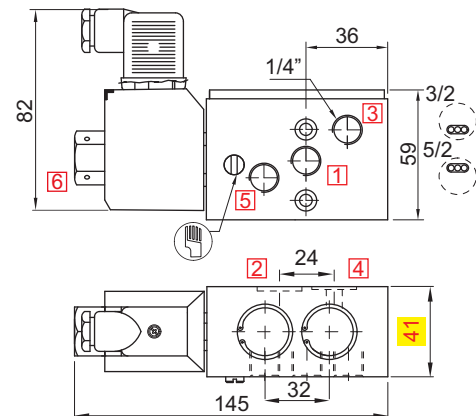
TERMINAL BOX/ Ex d TYPE 16, 19, 37, 39, 58, 58LT



TERMINAL BOX/ Ex d LARGE ENCLOSURE, TYPE 16, 19, 37, 39, 58, 58LT



BCE SOLENOID/ Ex d TYPE 87



PLUG IN SOLENOID TYPE 22/ 25