



Description

These models are very excellent to generate various thrust by accelerating gear, and power supply equipment which using the turning power of AC motor.

They are usually used with 2-way and 3-way Globe valves for Heating Ventilating Air Conditioning System.

Robust design, High enclosure, and Reliable operating.

Type Summary

It is operated by 24VAC voltage ((2)0~10VDC/4~20mA control) or 220VAC voltage (4~20mA or 0~10VDC or 2 ~10VDC control).

Model	Stroke (mm)	Force (N)
GEA-55P(S)	70	5500 (5.5KN)
GEA-100P(S)	70	10000 (10.0KN)
GEA-250P(S)	80	25000 (25.0KN)

APPLICATION

Valve	Type	Series(GVS, GXS, GVF, GXF)
2-way	Single Seat	10K, 16K, 20K
3-way	Mixing, Diverting	10K, 16K

TECHNICAL DATA

Model	GEA-55P	GEA-55P(S)	GEA-100P	GEA-100P(S)	GEA-250P	GEA-250P(S)
Nominal Stroke (mm)	70		70		80	
Nominal Force (N)	5500 (5.5KN)		10000 (10.0KN)		25000 (25.0KN)	
Operating Time (Sec)	94 (0.75mm/s)	50	94 (0.75mm/s)	50	210 (0.38mm/s)	110
Power Supply (V)	24VAC or 220VAC(110VAC)				Only 220V AC. ±10%	
Frequency (Hz)	60(50)					
Motor Speed (RPM)	1800 (1550)		1600		1250	
Regular Load (A)	2.1(0.25)		3(0.35)		1	
Condenser (μF)	150(5)		210(5)		6	
Power Consumption (VA)	51(55)		72(77)		220	
Control Input Signal	(0~10V , 4~20mA , 0~10 VDC Switchable)					
Control Output Signal	Output at Order : 0~10V or 4~20mA or 2~10VDC					
Motor efficiency	S4-30% ED-ch c/h 600 EN 60034-1					
Operation Temp	-15 ~ 60℃					
Transportation Temp	-30 ~ 65℃					
Insulation Class	E (IEC)					
Ambient Humidity	5 ~ 95% RH					
Housing Protection Grade	IP 65					
Conduit Entries	PF1/2" x 2EA					
Weight(Kg)	10.4		11.6		21.3	

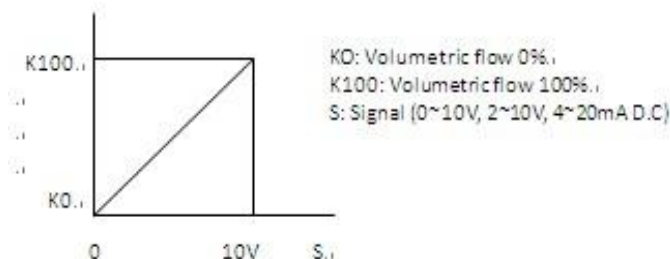
▶ SAFETY TEST FOR ELECTROMAGNETIC WAVES OBSTACLE

SAFETY STANDARD : C E (No: M8A 09 12 70564 002)

E M C STANDARD : EN ISO 12100-1:3002

TECHNICAL FEATURES

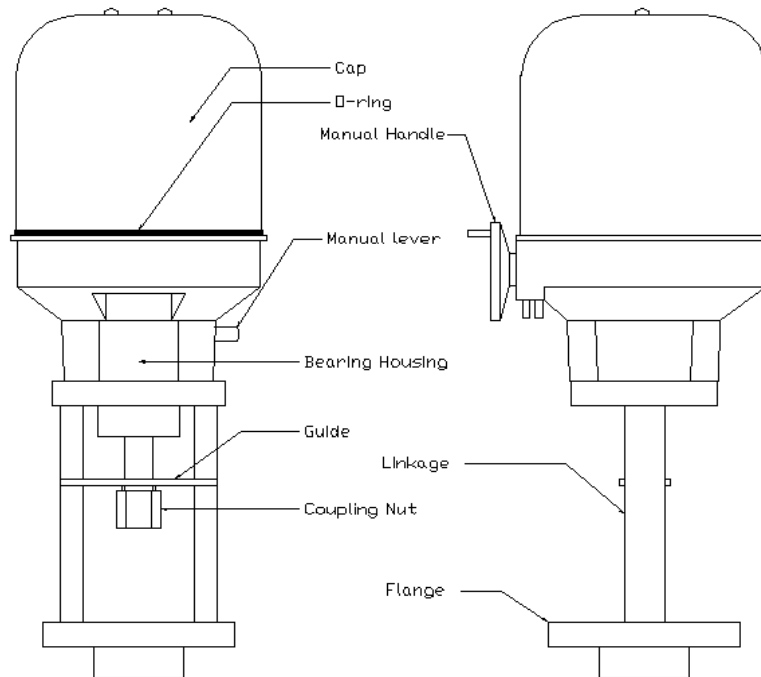
- ▶ Manual Handle for Hand / Auto Switch System.
- ▶ Torque Switch for Protection from overload.
- ▶ Easy Transition for Normal Open / Normal Close.
- ▶ Auto Setting Function.



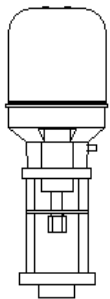
DESIGN FEATURE

- ▶ Assembling actuator and valve requires neither special tools nor adjustments.
- ▶ Blocking proof gear train with self-lubricating bearings.
- ▶ Manual operation with automatic resetting to control operation.

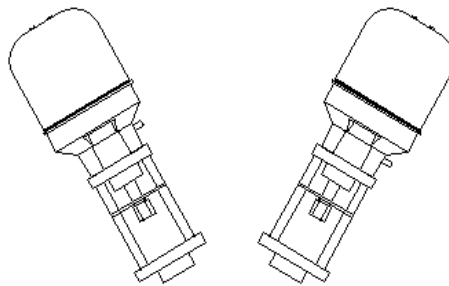
(When motor operate, Manual handle returns to its own position for electric operation.)



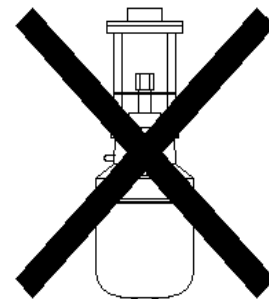
MOUNTING AND INSTALLATION GUIDE



<Best Condition>



<Lowest Condition Limit>



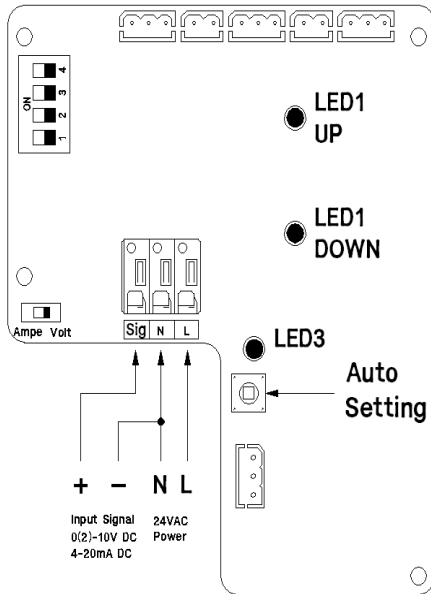
<Not Available>

COMMISSIONING NOTES

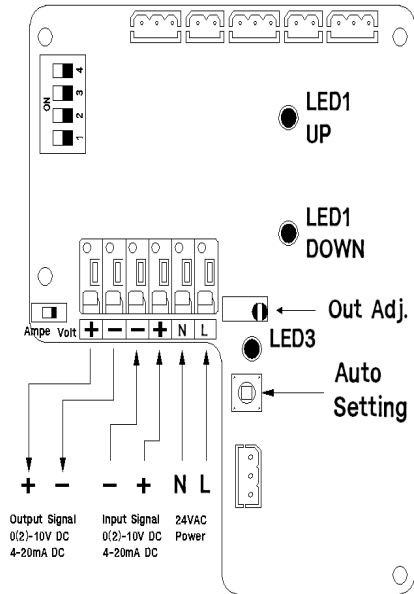
Before commissioning, check wiring and features first and test later.

- ★Coupling Piece : coupling piece moves downward : open valve
- ★Coupling Piece : coupling piece moves upward : close valve

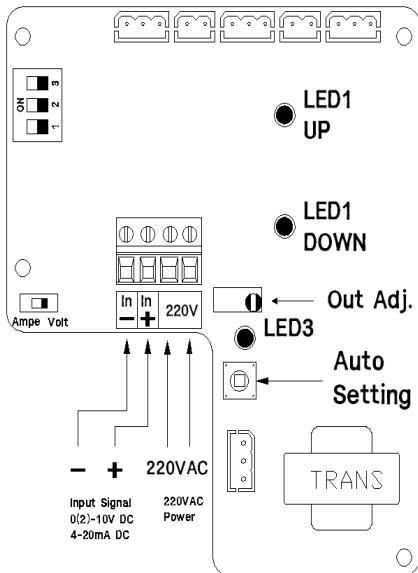
WIRING DIAGRAM



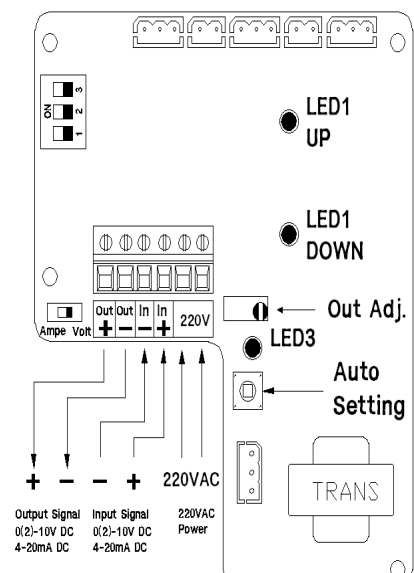
Standard (Basic)
GEA-55P, 100P (24 VAC)
Input Signal: 0~10 VDC / 4~20mA / 2~10 VDC Switchable



Option
GEA-55P, 100P (24 VAC)
Input / Output Signal: 0~10 VDC / 4~20mA / 2~10 VDC

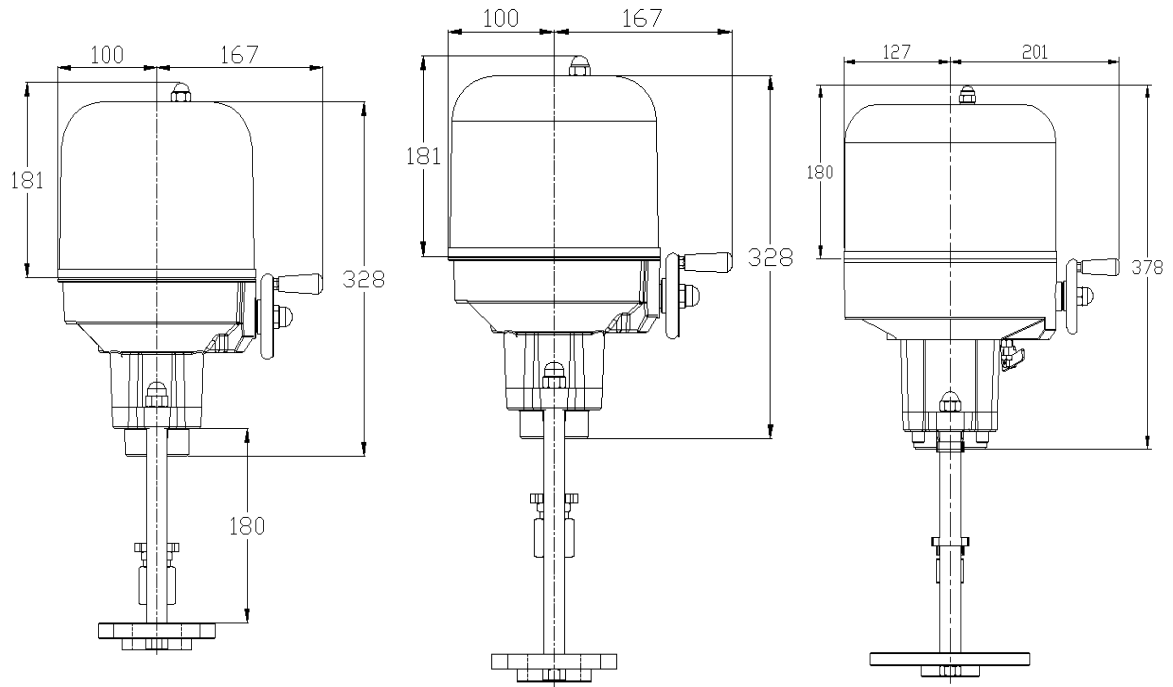


Standard (Basic)
GEA-55P, 100P, 250P (220 VAC)
Input Signal: 0~10 VDC / 4~20mA / 2~10 VDC Switchable



Option
GEA-55P, 100P, 250P (220 VAC)
Input / Output Signal: 0~10 VDC / 4~20mA / 2~10 VDC

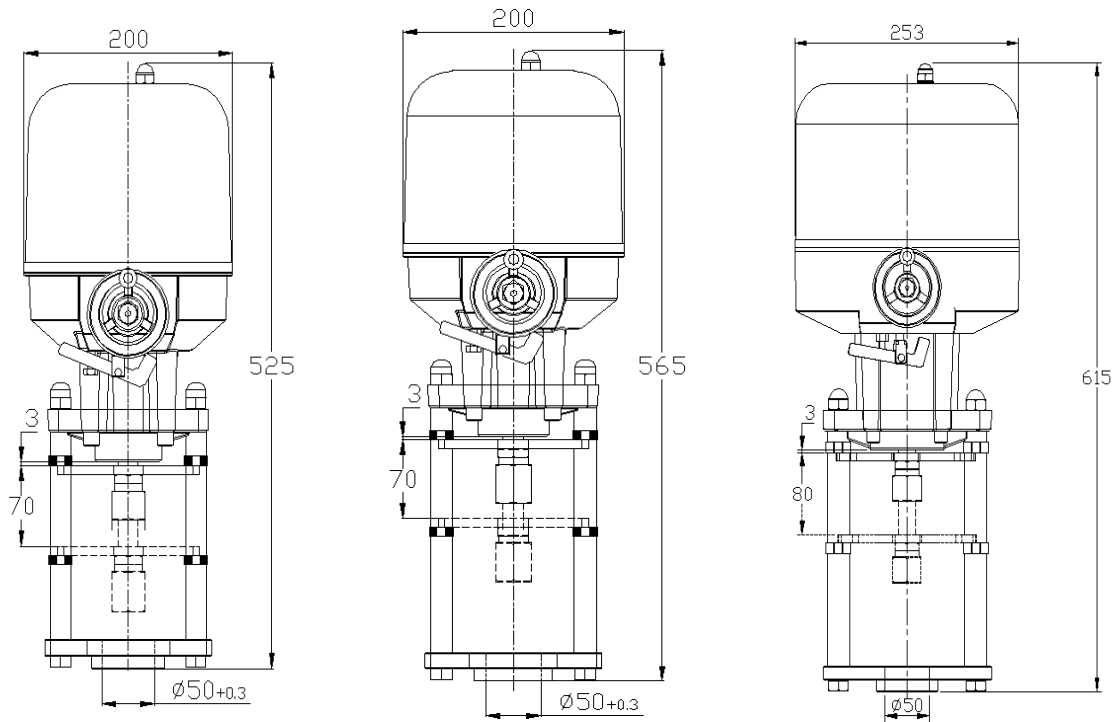
DIMENSION



GEA-55P

GEA-100P

GEA-250P



GEA-55P

GEA-100P

GEA-250P

y

]