



## GENERAL

These models are very excellent to generate various thrust by accelerating gear, and power supply equipment which using the turning power of synchronous motor. It is usually used with 2-way and 3-way Globe valves for Heating Ventilating Air Conditioning system.

Robust design, High enclosure, and Reliable operating.

## TYPE SUMMARY

It is operated by 24V voltage or 220V AC voltage. And also possible to make sub-limit switch.

Model	Nominal stroke (mm)	Nominal Force (N)
GEA-20A(S)	20	2000N (2.0KN)
GEA-35A	40	3500N (3.5KN)
GEA-55A(S)	70	5500N (5.5KN)
GEA-100A(S)	70	10000N (10.0KN)
GEA-250A(S)	80	25000N (25.0KN)

Valve	Type	Series(GVS, GXS, GVF, GXF)
2-way	Single Seat	10K, 16K, 20K
3-way	Mixing, Diverting	10K, 16K, 20K

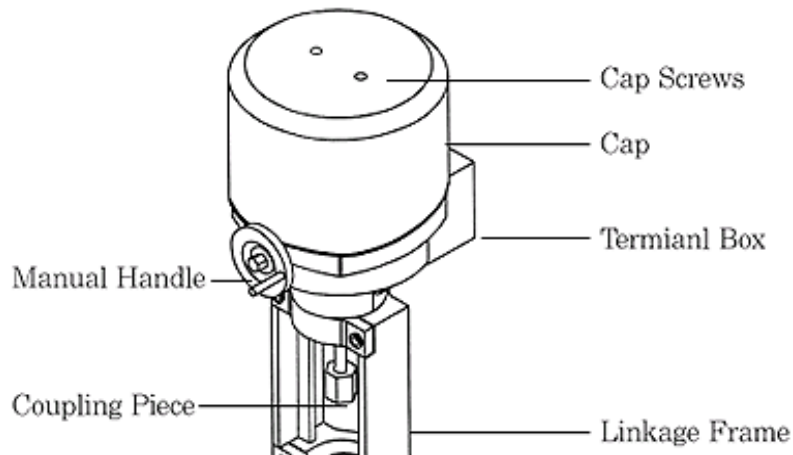
## TECHNICAL DATA

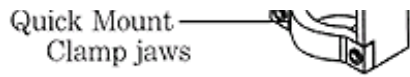
Model/(Optional)	GEA-20A	GEA-20AS	GEA-35A	GEA-55A	GEA-55AS	GEA-100A	GEA-100AS	GEA-250A	GEA-250AS
Nominal Stroke (mm)	20		40	70		70		80	
Nominal Force (N)	2000		3500	5500		10000		25000	
Operating Time (Sec)	50(0.4mm/s)	28	100(0.4mm/s)	94(0.75mm/s)	50	94(0.75mm/s)	50	210(0.38mm/s)	110
Power Supply(V)	24V(220V) AC. ±10%							220V(110V)	
Frequency (Hz)	60(50)								
Motor Speed (RPM)	600			1800(1550)		1600		1250	
Regular Load(A)	0.5(0.075)			2.1(0.25)		3(0.35)		1	
Condenser (μF)	34(0.474)			150(5)		210(5)		6	
Power Consumption (VA)	12(16.5)			51(55)		72(77)		220	
Control Signal	CW/CCW								
Control Output	2 x Open / Close 3A					2 x Open / Close 10A			
Motor Efficiency	S4-30% ED-c/h 600, EN 60034-1								
Operation Temp.	:-15 ~ 60°C								
Transportation Temp.	:-30 ~ 65°C								
Insulation Class	E (IEC)								
Ambient Humidity	5 ~ 95% Rh								
Housing Protection Grade	IP 54				IP65				
Conduit Entries	PF $\frac{1}{2}$ x 2EA								
Weight(Kg)	3.2/3.5		3.3/3.6	10.4/11.2		11.6/12.4		21.3/22.6	

## DESIGN FEATURE

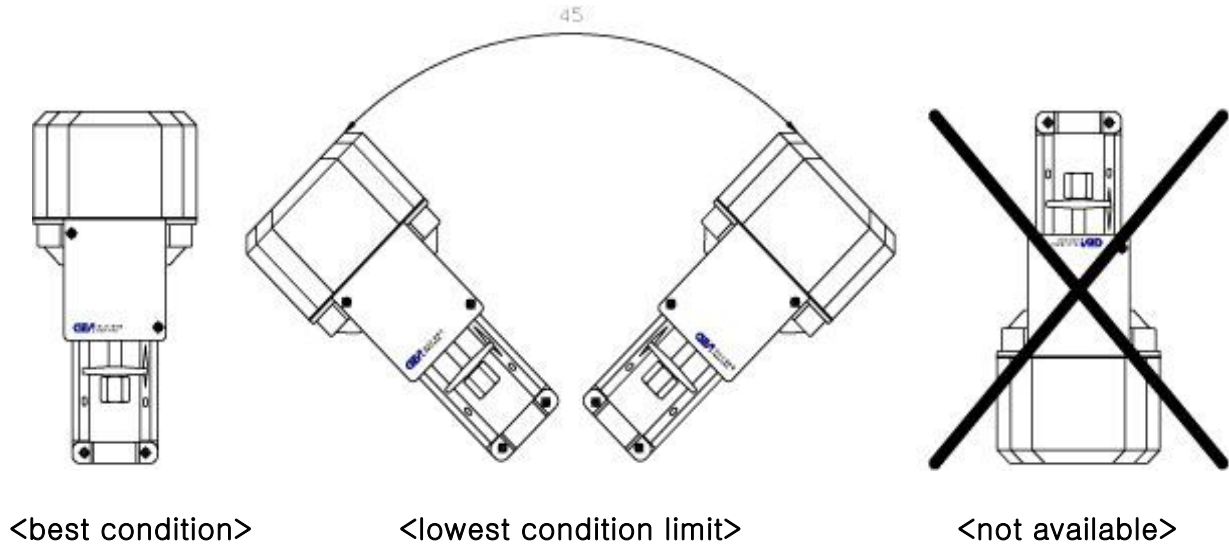
- ▶ Assembling actuator and valve requires neither special tools nor adjustments.
- ▶ Blocking proof gear train with self-lubricating bearings.
- ▶ Manual operation with automatic resetting to control operation.

(When motor operate, Manual handle returns to its own position for electric operation.)





## MOUNTING AND INSTALLATION GUIDE

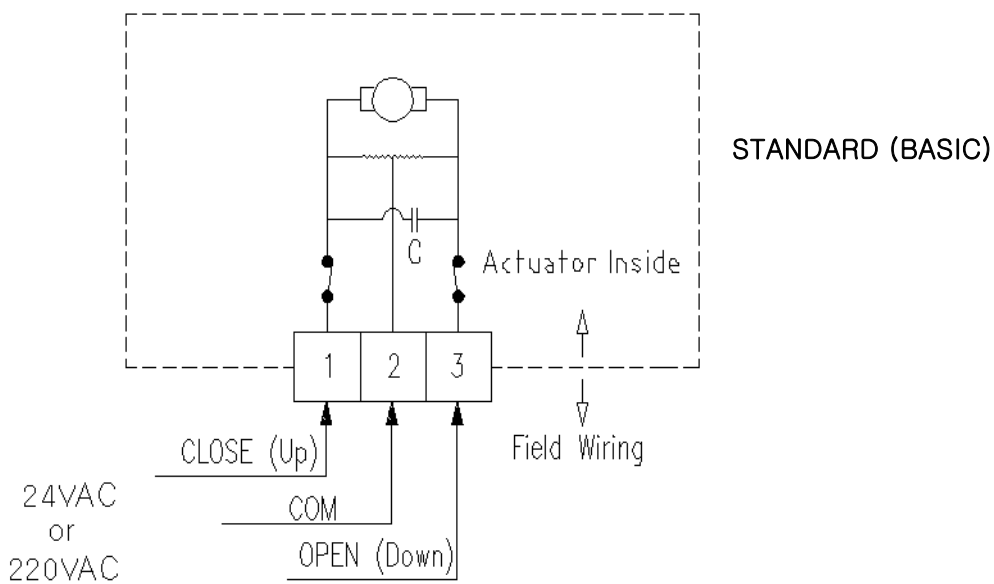


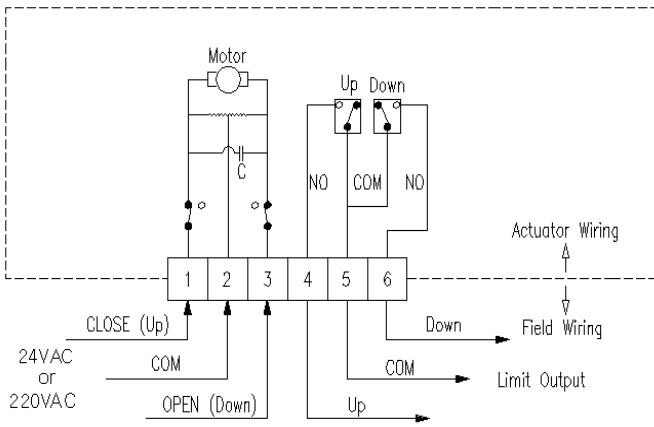
## COMMISSIONING NOTES

Before commissioning, check wiring and features first and test later.

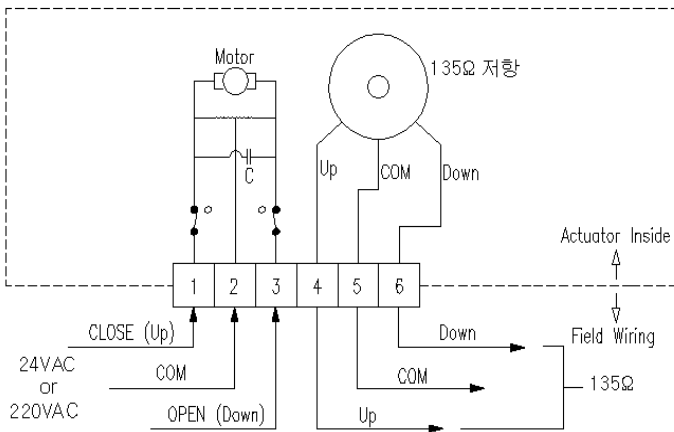
- \*Coupling Piece : moving (Down) toward to valve : open valve
- \*Coupling Piece : moving (Up) toward to Actuator : close valve

## WIRING DIAGRAM



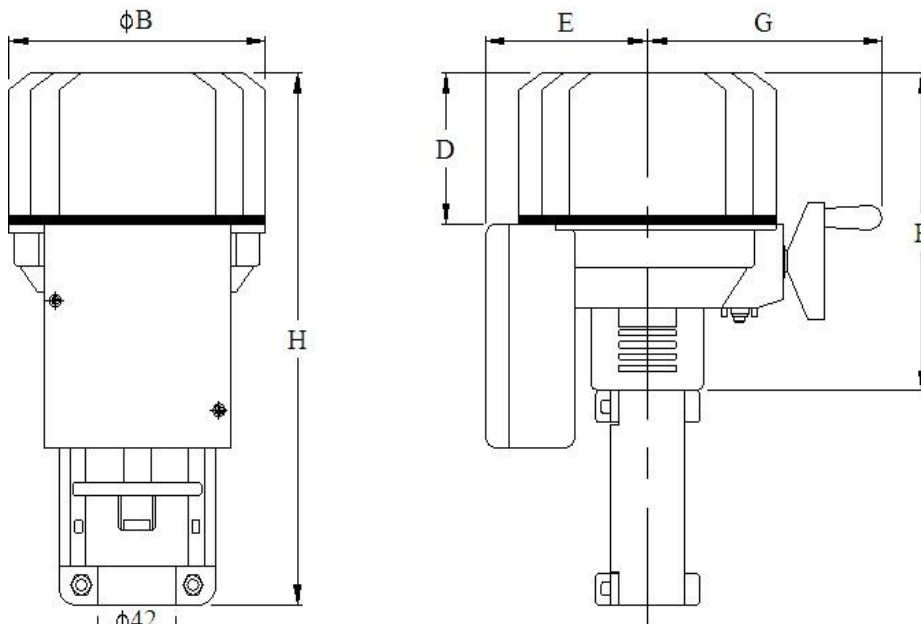


OPTION (Limit Switch / Output)



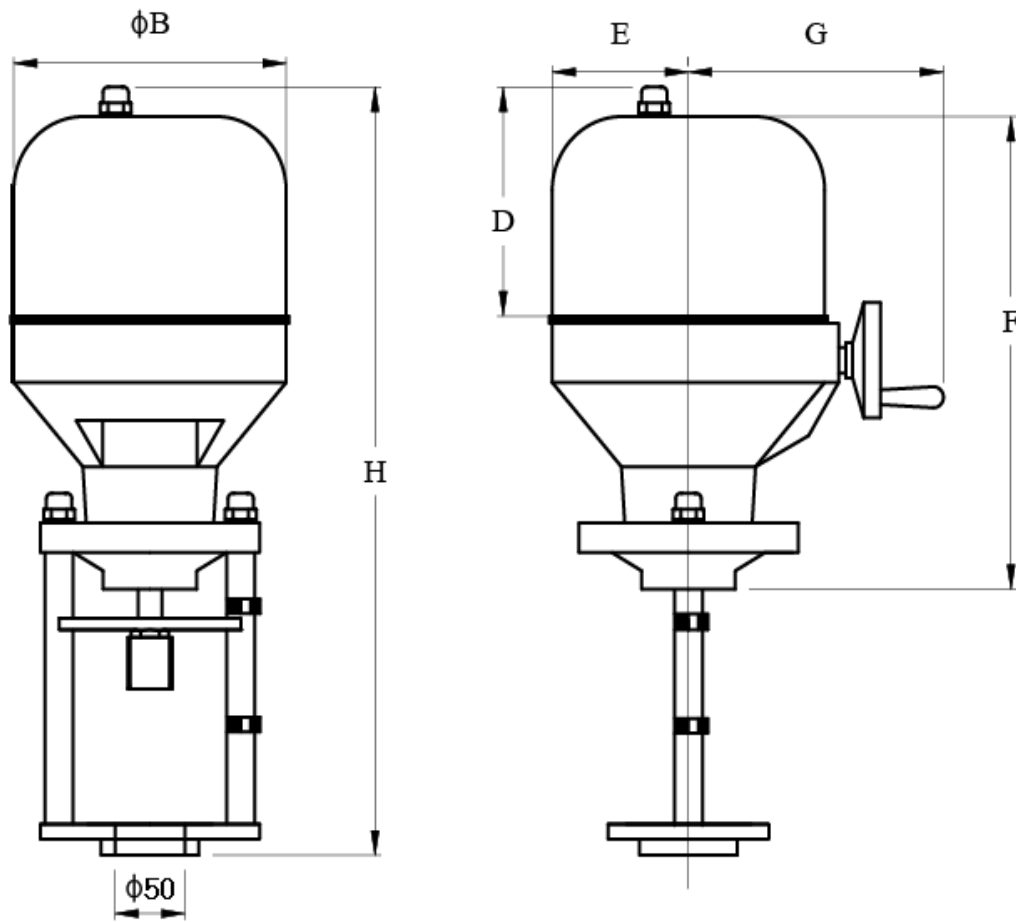
OPTION (0~135Ω /Output)

## DIMENSION





<GEA-20A, 35A>



< GEA-55A, 100A, 250A >

Model	GEA-20A(S)	GEA-35A	GEA-55A(S)	GEA-100A(S)	GEA-250A(S)
$\phi B$	138	138	196	196	248
H	269	297	503	541	588
D	72	73	154	154	147
F	160	161	299	299	334
E	88	89	98	98	120
G	124	123	173	173	206