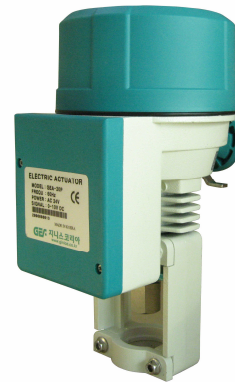




GEA-20P



GEA-35P

GENERAL

These models are very excellent to generate various thrust by accelerating gear, and power supply equipment which using the turning power of synchronous motor.

It is usually used with 2-way and 3-way globe valves for Heating Ventilating Air Conditioning System. Robust design, High enclosure, and Reliable operating.

Type Summary

It is operated by 24VAC voltage ((2)0~10VDC/4~20mA control) or 220VAC voltage (4~20mA or 0~10VDC or 2 ~10VDC control).

Model	Stroke (mm)	Force (N)
GEA-20P(S)	20	2000 (2.0KN)
GEA-35P	40	3500 (3.5KN)

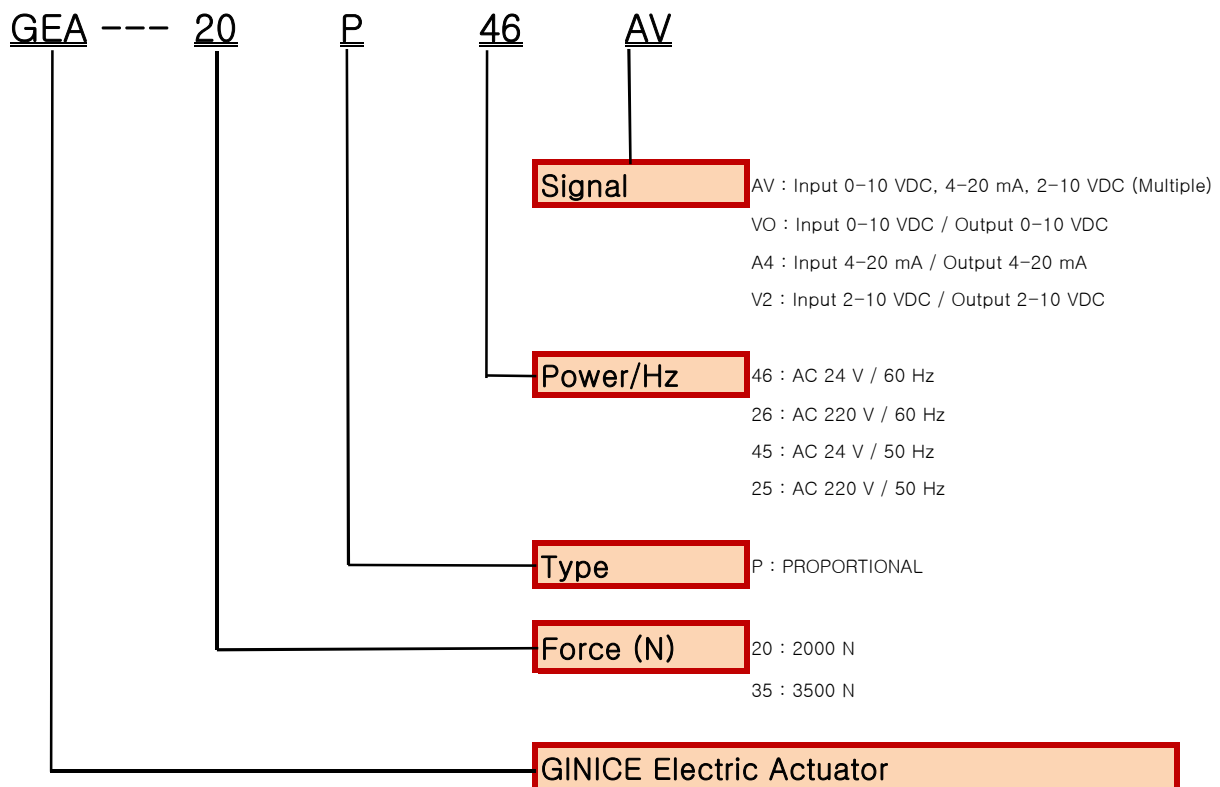
APPLICATION

Valve	Type	Series(GVS, GXS, GVF, GXF)
2-way	Single Seat	10K, 16K, 20K
3-way	Mixing, Diverting	10K, 16K, 20K

TECHNICAL DATA

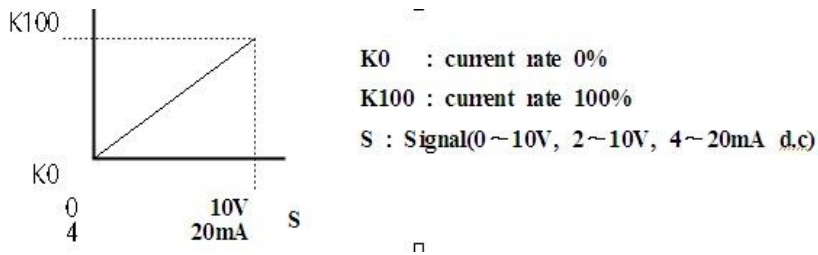
Model(optional)	GEA-20P	GEA-20P(S)	GEA-35P
NOMINAL STROKE (mm)	20		40
NOMINAL FORCE (KN)	2000 (2.0)		3500 (3.5)
OPERATING TIME (Sec)	50 (0.4mm/s)	28	100 (0.4mm/s)
OPERATING POWER (V)	AC 24V or (AC220V) . ±10%		
FREQUENCY (Hz)	60 or 50		
MOTOR SPEED (rpm)	600		
REGULAR LOAD (A)	0.5 (0.075)		
CONDENSER (μF)	34 (0.474)		
POWER CONSUMPTION (VA)	12 (16.5)		
INPUT SIGNAL	0~10V, 2~10V, 4~20mA DC (Switchable)		
OUTPUT SIGNAL	Output At order : 0~10V or 2~10V or 4~20mA DC.		
Motor efficiency	S4-30% ED-600c/hr, EN 60034-1		
INSULATION CLASS	E (IEC)		
Operation Temp	:-15 ~ 60℃		
Transportation Temp	:-30 ~ 65℃		
INSULATION CLASS	E (IEC)		
HUMIDITY	5 ~ 95% Rh		
HOUSING PROTECTION GRADE	IP 54 (DIN4050)		
Conduit Entries	PF1/2 x 2EA		
WEIGHT (Kg)	3.2/3.7		3.3/3.8

Ordering



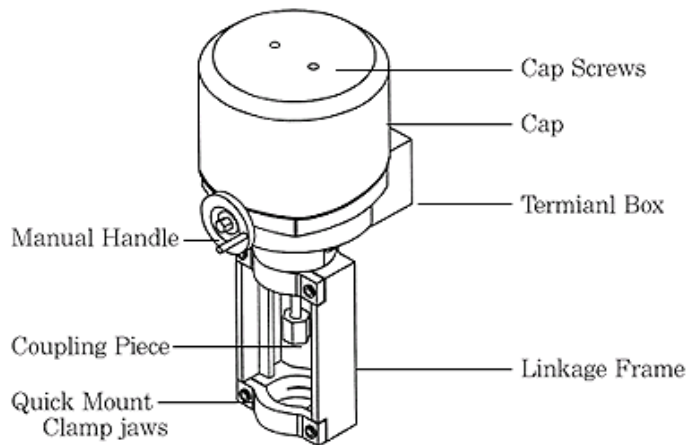
TECHNICAL FEATURES

- ▶ Manual Handle for Hand / Auto Switch System.
- ▶ Torque Switch for Protection from overload.
- ▶ Easy Transition for Normal Open / Normal Close.
- ▶ Auto Setting Function.

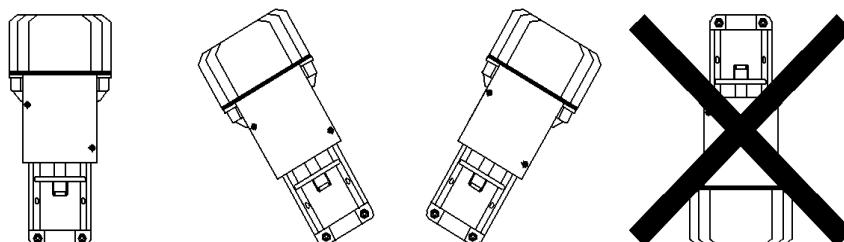


DESIGN FEATURE

- ▶ Assembling actuator and valve requires neither special tools nor adjustments.
- ▶ Blocking proof gear train with self-lubricating bearings.
- ▶ Manual operation with automatic resetting to control operation.
(When motor operate, Manual handle returns to its own position for electric operation.)



MOUNTING AND INSTALLATION GUIDE



(Best condition)

(Lowest condition limit)

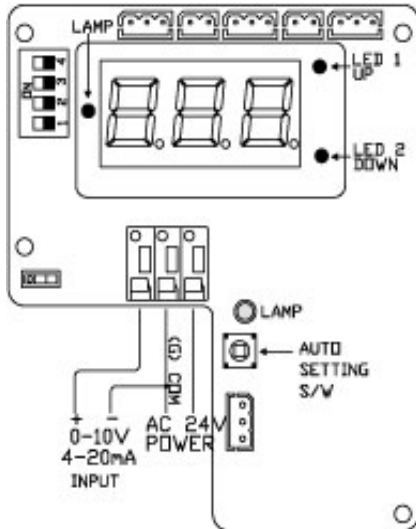
(not available)

COMMISSIONING NOTES

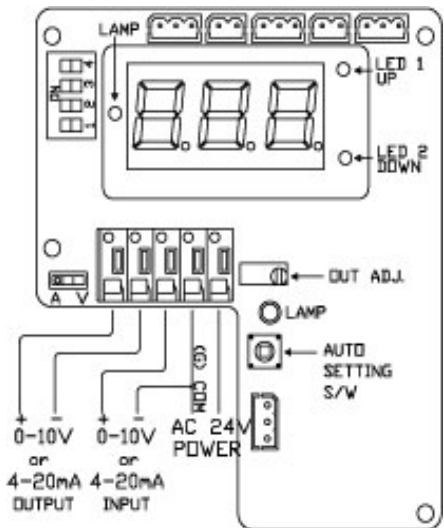
Before commissioning, check wiring and features first and test later.

- ★Coupling Piece : moving toward to valve : open valve
- ★Coupling Piece : moving toward to Actuator : close valve

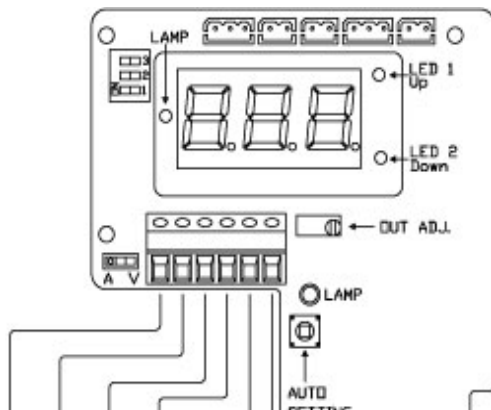
WIRING DIAGRAM



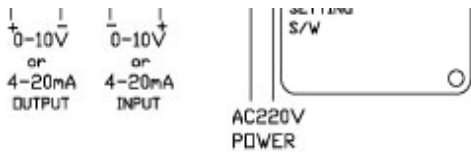
STANDARD (BASIC)
(GEA-20P, 35P - 24VAC)



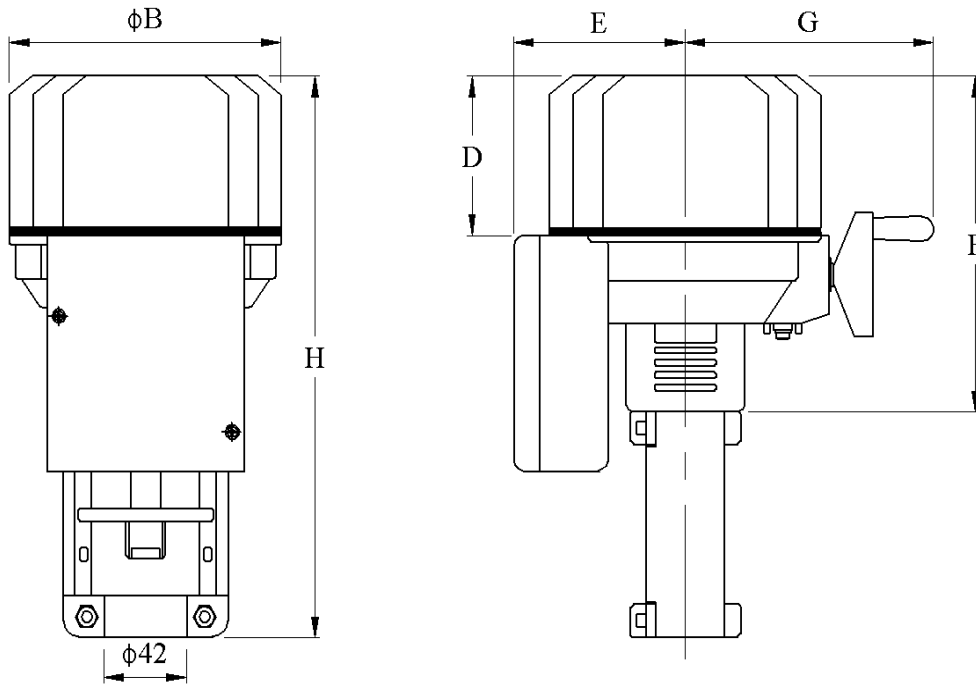
OPTION
(OUTPUT/ GEA-20P, 35P - 24VAC)



OPTION
(GEA-20P, 35P - 220VAC)



DIMENSION



<GEA-20P, 35P>

Model	GEA-20P(S)	GEA-35P
ϕB	138	138
H	269	297
D	72	73
F	160	161
E	88	89
G	124	124

n.